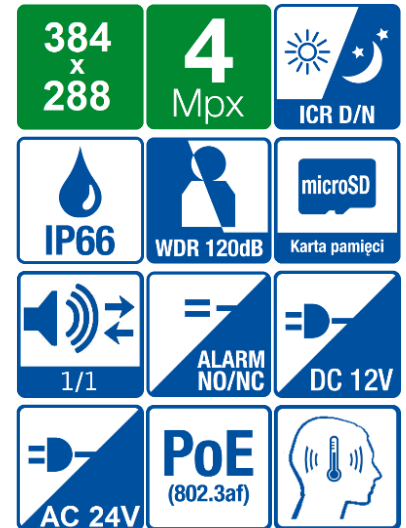


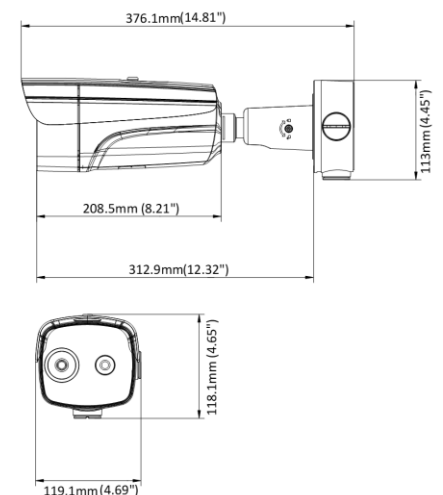
## BCS-V-TI432IR5-TTW-15

Dual sensor camera for human body temperature measurement



**ONVIF**<sup>®</sup>

- Calibration with BCS-V-WT
- Vanadium oxide uncooled focal plane detector
- Thermal camera lens 15mm, thermal sensitivity  $\leq 40\text{mK}@F/1.0$
- Effective pixels 384(H) $\times$ 288(V), pixel pitch 17 $\mu\text{m}$
- Spectral range 8~14 $\mu\text{m}$
- Temperature measurement
- Visible camera sensor 1/2.7" 4Mpx
- Visible camera lens 6mm
- Built-in web-service, support BCS-NVR, CMS(BCS Manager), mobile app BCS(android, iOS), P2P, Onvif
- 1 audio in / 1 audio out
- 2 alarm in / 2 alarm out
- IR range 50m
- Edge storage microSD up to 256GB
- Camera in metal casing IP66 for inside room body temperature measurement
- Power supply DC 12V, AC24V, PoE(802.3af)



## BCS-V-TI432IR5-TTW-15

Dual sensor camera for human body temperature measurement

Thermal	
Sensor	Vanadium oxide uncooled focal plane detector
Pixels	384(H) × 288(V)
Pixel pitch	17µm
Thermal sensitivity	≤40mK@F/1.0
Spectral range	8~14µm
Lens	Fixed 15mm F1.0
Angle of view	24.5° × 18.5° (H × V)
IFOV	1.13mrad
Temperature measurement	+30°C ~ +45°C
Temperature accuracy	±0.5°C
Temperature mode	3 types, 21 rules (10 spot, 10 area, 1 line)
Main stream	25 fps (1280 × 720, 704 × 576, 640 × 480, 352 × 288, 320 × 240)
Second stream	25 fps (704 × 576, 352 × 288, 320 × 240)
Visible	
Sensor	1/2.7" 4Mpx
Pixels	2688(H) × 1520(V)
Lens	6mm F1.6
Angle of view	51.7° × 28° (H × V)
Min. illumination	Color: 0.0089Lux, B/W: 0.0018Lux, IR On: 0Lux
Shutter	1s~1/100000s
Video compression	H.265, H.264, MJPEG
Main stream	50 Hz: 25 fps (2688 × 1520, 1920 × 1080, 1280 × 720) 60 Hz: 30 fps (2688 × 1520, 1920 × 1080, 1280 × 720)
Second stream	50 Hz: 25 fps (704 × 576, 352 × 288, 176 × 144) 60 Hz: 30 fps (704 × 480, 352 × 240, 176 × 120)
Functions	WDR120dB, 3D DNR
Day/night	ICR IR range 50m
Audio	1 in 3.5 mm Mic in/Line 2~2.4 V [p-p] 1 KΩ ± 10% i 1 out 600 Ω
Audio compression	G.711u/G.711a/G.722.1/MP2L2/G.726/PCM
Alarm	2 in 0~5VDC / 2 out
Network	RJ-45 (10/100Base-T)
Edge storage	microSD do 256GB
Protocols	IPv4/IPv6, HTTP, HTTPS, 802.1x, Qos, FTP, SMTP, UPnP, SNMP, DNS, DDNS, NTP, RTSP, RTCP, RTP, TCP, UDP, IGMP, ICMP, DHCP, PPPoE
Compatibility	ONVIF(S,G,T)
Users	32
Mobile	iOS, android
Power supply	DC12V (±25%) / AC24V (±25%) / PoE(802.3af)
Power consumption	18 VAC ~ 30 VAC: 0.38 A ~ 0.22 A, max. 9 W 9 VDC ~ 15 VDC: 0.63 A ~ 1.06 A, max. 9 W PoE (802.3af, class 3): 44 V ~ 57 V, 0.22 A ~ 0.17 A, max. 9.5 W
Protection	Surge protection 6KV
Working environment	10°C~+35°C, 10%~95% RH
Casing	IP66
Weight	1.82kg
Dimensions	376.1 mm × 119.1 mm × 118.1 mm (14.81" × 4.68" × 4.65")