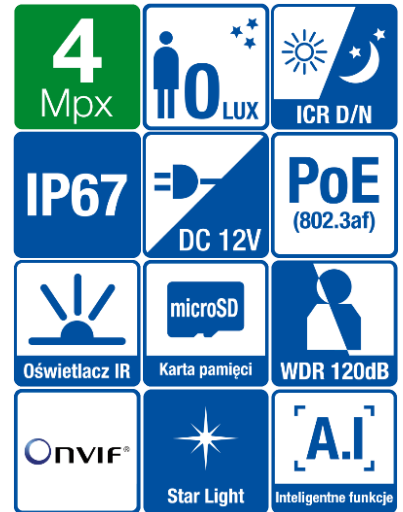
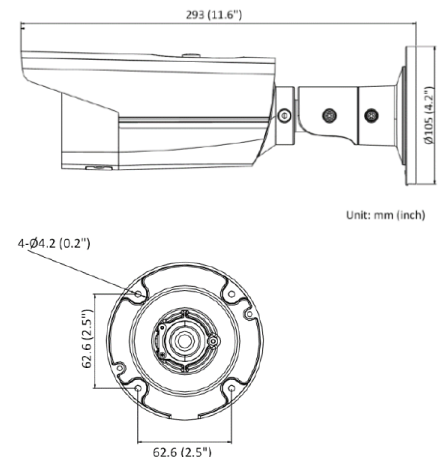


BCS-V-TIP54FSR6-Ai2

4Mpx bullet network camera with 2.8mm lens



- 1/3 "4Mpx PS CMOS sensor
- DarkView Starlight technology
- Support for three coding streams
- Resolution 2688 × 1520 @ 30fps
- H.265 + / H.264 + / MJPEG compression
- ICR mechanical infrared filter
- AGC, AWB, AES, BLC, HLC, WDR (120dB), 3D DNR, ROI functions
- Motion detection, privacy mask
- Intelligent functions: perimeter protection, intrusion into the area, line crossing, object recognition, face detection
- Built-in web service, compliance with BCS-NVR, CMS (BCS Manager), BCS mobile application (android, iOS), P2P, Onvif
- 2.8mm F1.4 fixed focal length lens
- Infrared with a range of up to 60m
- MicroSD memory card slot up to 256GB
- IP67 metal outdoor housing
- Operating conditions -30 ° C ~ + 60 ° C
- DC 12V, PoE (802.3af) power supply



BCS-V-TIP54FSR6-Ai2

4Mpx bullet network camera with 2.8mm lens

Video system	IP
Scanning system	Progressive Scan
Sensor	1/3" 4Mpx CMOS
Pixels	2688(H) × 1520(V)
Min. illumination	Color:0.003Lux@(F1.4, AGC), B/W:0Lux(IR)
S/N ratio	≥ 52 dB
Lens	2.8mm F1.4
Focus	Fixed
Iris	Fixed
Viewing angle	horizontal FOV 103°, vertical FOV 55°, diagonal FOV 123°
DORI	Detect 60 m / Observe 24 m / Recognize 12 m / Identify 6 m
White balance	(AWB) Auto/manual
Background compensation	BLC / HLC / WDR(120dB)
Shutter	Auto/manual (1/3~1/100000s)
Gain control	(AGC) Auto/manual
Noise reduction	3D DNR
Day / night function	IR cut filter with auto-switch ICR
Infrared	60m
Video compression	H.265 / H.265+ / H.264 / H.264+ / MJPEG(second stream)
Main stream	50 Hz: 25 fps (2688 × 1520, 1920 × 1080, 1280 × 720) 60 Hz: 30 fps (2688 × 1520, 1920 × 1080, 1280 × 720)
Second stream	50 Hz: 25 fps (640 × 480, 640 × 360) 60 Hz: 30 fps (640 × 480, 640 × 360)
Third stream	50 Hz: 10 fps (1920 × 1080, 1280 × 720, 640 × 480, 640 × 360) 60 Hz: 10 fps (1920 × 1080, 1280 × 720, 640 × 480, 640 × 360)
Network connection	RJ-45 (10/100Mbps)
Protocols	TCP/IP, ICMP, HTTP, HTTPS, FTP, DHCP, DNS, DDNS, RTP, RTSP, RTCP, PPPoE, NTP, UPnP™, SMTP, SNMP, IGMP, 802.1X, QoS, IPv6, Bonjour, IPv4, UDP, SSL/TLS
Compatibility	ONVIF(S/G/T)
Users	Max. 32
Mobile users	iOS, android
Power	DC12V (±25%) 0.63A max. 7.5W / PoE(802.3af) 36~57V, 0.25A max 9W
Working conditions	-30°C ~ +60°C, 10%~95% RH
Case	IP67
Dimensions and weight	Ø105 × 293 mm (Ø4.13" × 11.53"), 1.1kg



BCS-V-TIP54FSR6-Ai2

4Mpx bullet network camera with 2.8mm lens

Junction box
BCS-V-AWDT



Junction box
BCS-V-AT

