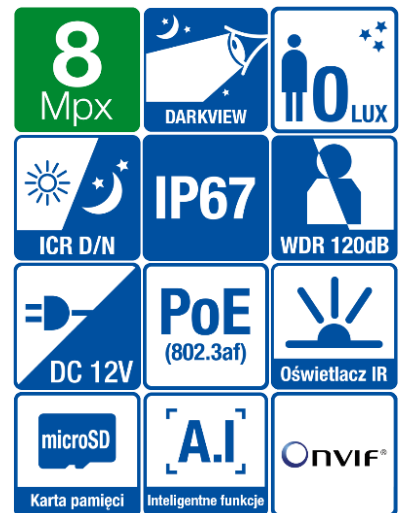
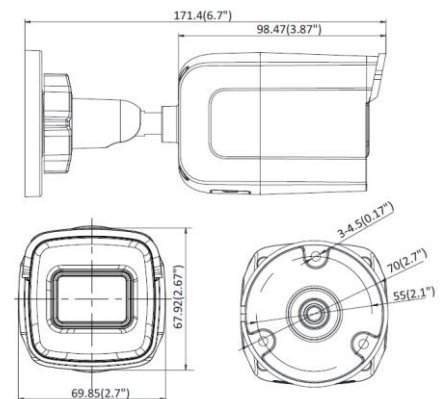


BCS-V-TI832IR4-Ai

Network Bullet Camera 8Mpx with fixed lens 2.8mm



- Sensor 1/1.8" 8Mpx PS CMOS
- DarkView technology
- Triple stream coding
- Resolution 3840×2160@25fps
- Compression H.265+/H.264+/MJPEG
- IR-cut filter with auto switch (ICR)
- Functions AGC, AWB, AES, BLC, HLC, WDR(120dB), 3D DNR, ROI
- Motion detect, privacy masking
- Intelligent functions: intrusion, crossline, perimeter protection, face detect, scene change
- Built-in web-service, support BCS-NVR, CMS(BCS Manager), mobile app BCS(iOS, android), P2P, Onvif
- Fixed lens 2.8mm F1.6
- IR range up to 40m
- Edge storage microSD up to 256GB
- Outside metal casing IP67
- Working environment -30°C ~ +60°C
- Power supply DC 12V, PoE(802.3af)



BCS-V-TI832IR4-Ai

Network Bullet Camera 8Mpx with fixed lens 2.8mm

System video	IP
System scanning	Progressive Scan
Sensor	1/1.8" 8Mpx CMOS
Pixels	3840(H) × 2160(V)
Minimum illumination	Color: 0.003Lux@F1.6, AGC On B/W: 0Lux
Lens	2.8mm F1.6
Focus	Fixed
Angle of view	H: 111°, V: 59°
White balance	(AWB) Auto/manual
Backlight compensation	BLC / HLC / WDR(120dB)
Shutter	Auto/manual (1/3~1/100000s)
Gain control	(AGC) Auto/manual
Noise reduction	3D DNR
Day/night	IR-cut filter with auto switch (ICR)
IR range	40m
Video compression	H.265 / H.265+ / H.264 / H.264+ / MJPEG(second stream)
Main stream	50 Hz: 25 fps (3840 × 2160, 3200 × 1800, 2688 × 1520, 1920 × 1080, 1280 × 720) 60 Hz: 24 fps (3840 × 2160) 30 fps (3200 × 1800, 2688 × 1520, 1920 × 1080, 1280 × 720)
Second stream	50 Hz: 25 fps (640 × 480, 640 × 360) 60 Hz: 30 fps (640 × 480, 640 × 360)
Third stream	50 Hz: 10 fps (1920 × 1080, 1280 × 720, 640 × 480, 640 × 360) 60 Hz: 10 fps (1920 × 1080, 1280 × 720, 640 × 480, 640 × 360)
Network	RJ-45 (10/100Mbps)
Protocols	TCP/IP, ICMP, HTTP, HTTPS, FTP, DHCP, DNS, DDNS, RTP, RTSP, NTP, UPnP, SMTP, IGMP, 802.1X, QoS, IPv4, IPv6, UDP, Bonjour, SSL/TLS, PPPoE, SNMP, ARP
Edge storage	microSD up to 256GB
Compatibility	ONVIF(S/G/T)
Users	Max 32
Mobile	iOS, android
Power supply	DC12V(±25%) / PoE(802.3af)
Power consumption	12 VDC, 0.5 A, max. 6 W PoE (802.3af, 36V to 57V), 0.2 A to 0.13 A, max. 7.2 W
Working environment	-30°C ~ +60°C, 10%~95% RH
Casing	Metal IP67
Weight	0.48kg
Dimensions	∅ 70 × 161.7 mm



BCS-V-TI832IR4-Ai

Network Bullet Camera 8Mpx with fixed lens 2.8mm

Junction box
BCS-V-AWMT



Junction box
BCS-V-AWDT

