

## BCS-V-TI831IR3

IR Network Bullet Camera 8Mpx with fixed lens 2.8mm



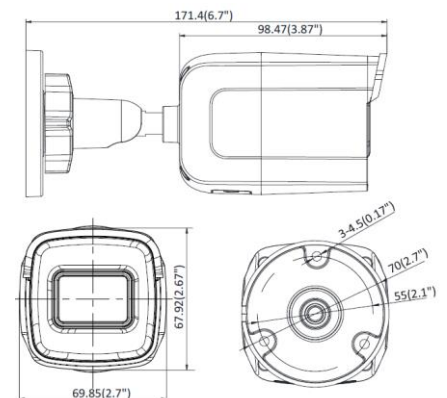
### Key features:

- Sensor 1/2" 8Mpx PS CMOS
- Triple stream coding
- Resolution 3840×2160@25/30fps
- Compression H.265+/H.264+/MJPEG
- IR-cut filter with auto switch (ICR)
- Functions AGC, AWB, AES, BLC, HLC, WDR(120dB), 3D DNR, ROI
- Motion detect, privacy masking
- Intelligent functions: intrusion, crossline, face detect, abandoned/missing object
- Built-in web-service, support BCS-NVR, CMS(BCS Manager), mobile app BCS(iOS, android), P2P, Onvif
- Fixed lens 2.8mm F2.0
- IR range up to 30m
- Edge storage microSD up to 128GB
- Outside metal casing IP67, IK10
- Working environment -30°C ~ +60°C
- Power supply DC 12V, PoE



ONVIF®

### Dimensions:



## BCS-V-TI831IR3

IR Network Bullet Camera 8Mpx with fixed lens 2.8mm

### Specification:

System video	IP
System scanning	Progressive Scan
Sensor	1/2" 8Mpx CMOS
Pixels	3840(H) × 2160 (V)
Minimum illumination	Color: 0.008Lux@(F1.2, AGC On), 0.014 Lux@(F1.6, AGC On), B/W:0Lux
Lens	Fixed 2.8mm F2.0, Angle of view H: 102°, V: 55°
White balance	(AWB) Auto/manual
Backlight compensation	BLC / HLC / WDR(120dB)
Shutter	Auto/manual (1/3~1/100000s)
Gain control	(AGC) Auto/manual
Noise reduction	3D DNR
Day/night	IR-cut filter with auto switch (ICR)
IR range	Up to 30m
Video compression	H.265 / H.265+ / H.264 / H.264+ / MJPEG(second stream)
Resolution	8M(3840×2160) / 6M(3072×1728) / 4M(2560×1440) / 1080P(1920×1080) / 720P(1280×720) / (640×480) / (640×360) / (352×288) / (352×240)
Main stream	50Hz: 20fps (3840×2160), 25fps (3072×1728, 2560×1440, 1920×1080, 1280×720) 60Hz: 20fps (3840×2160), 30fps (3072×1728, 2560×1440, 1920×1080, 1280×720)
Second stream	50Hz: 25fps (640×480, 640×360, 320×240) 60Hz: 30fps (640×480, 640×360, 320×240)
Third stream	50Hz: 25fps (1280×720, 640×360, 352×288) 60Hz: 30fps (1280×720, 640×360, 352×240)
Network	RJ-45 (10M/100M)
Protocols	TCP/IP, ICMP, HTTP, HTTPS, FTP, DHCP, DNS, DDNS, RTP, RTSP, RTCP, NTP, UPnP, SMTP, IGMP, 802.1X, QoS, IPv6, UDP, Bonjour, P2P
Edge storage	microSD up to 128GB
Compatibility	ONVIF(Profile S, Profile G), ISAPI
Users	Max 32
Mobile	iOS, android
Power supply	DC12V(±25%) / PoE(802.3af)
Power consumption	<6W
Working environment	-30°C ~ +60°C, 10%~95% RH
Casing	Metal IP67, IK10
Weight	0.4kg
Dimensions	70 × 68 × 171mm

