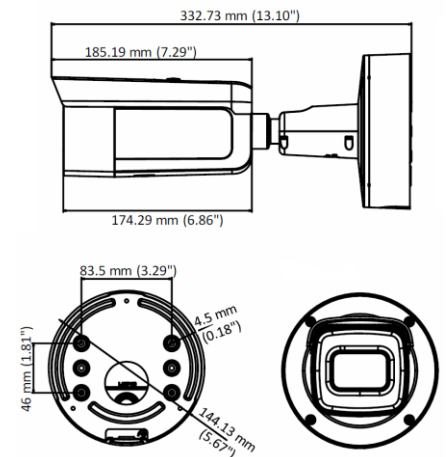


## BCS-V-TI236IR6-Ai

IR Network Bullet Camera 2Mpx with motozoom lens 2.8~12mm



- Sensor 1/2.8" 2Mpx PS CMOS
- DarkView technology
- Triple stream coding
- Resolution 1920×1080@25/30fps
- Compression H.265+/H.264+/MJPEG
- IR-cut filter with auto switch (ICR)
- Functions AGC, AWB, AES, BLC, HLC, WDR(120dB), 3D DNR, ROI
- Motion detect, privacy masking
- Intelligent functions: intrusion, crossline, perimeter protection, face detect, scene change
- Built-in web-service, support BCS-NVR, CMS(BCS Manager), mobile app BCS(iOS, android), P2P, Onvif
- Motozoom lens 2.8~12mm F1.4
- IR range up to 60m
- Alarm 1/1, audio 1/1
- Integrated with junction box
- Edge storage microSD up to 256GB
- Outside metal casing IP67, IK10
- Working environment -30°C ~ +60°C
- Power supply DC 12V, PoE(802.3at)



## BCS-V-TI236IR6-Ai

IR Network Bullet Camera 2Mpx with motozoom lens 2.8~12mm

System video	IP
System scanning	Progressive Scan
Sensor	1/2.8" 2Mpx CMOS
Pixels	1920(H) × 1080 (V)
Minimum illumination	Color: 0.002Lux@F1.4, AGC On B/W: 0Lux
Lens	Motozoom 2.8~12mm F1.4
Angle of view	H: 113°~31°, V: 58°~18°
White balance	(AWB) Auto/manual
Backlight compensation	BLC / HLC / WDR(120dB)
Shutter	Auto/manual (1/3~1/100000s)
Gain control	(AGC) Auto/manual
Noise reduction	3D DNR
Day/night	IR-cut filter with auto switch (ICR)
IR range	60m
Video compression	H.265 / H.265+ / H.264 / H.264+ / MJPEG(second stream)
Main stream	50Hz: 25fps (1920×1080, 1280×720) 60Hz: 30fps (1920×1080, 1280×720)
Second stream	50Hz: 25fps (640×480, 640×360, 320×240) 60Hz: 30fps (640×480, 640×360, 320×240)
Third stream	50Hz: 25fps (1280×720, 640×480, 640×360, 360×240) 60Hz: 30fps (1280×720, 640×480, 640×360, 360×240)
Network	RJ-45 (10M/100M)
Protocols	TCP/IP, ICMP, HTTP, HTTPS, FTP, DHCP, DNS, DDNS, RTP, RTSP, NTP, UPnP, SMTP, IGMP, 802.1X, QoS, IPv6, UDP, Bonjour, SSL/TLS
Edge storage	microSD up to 256GB
Audio	1 in / 1 out
Audio compression	G.711ulaw/G.711alaw/G.722.1/G.726/MP2L2/PCM/MP3
Alarm	1 in / 1 out
Compatibility	ONVIF(Profile S, Profile G, Profile T), ISAPI, SDK
Users	Max 32
Mobile	iOS, android
Power supply	DC12V(±25%) / PoE(802.3at)
Power consumption	12 VDC, 1.12A, max. 13.5W PoE: (802.3at, 42.5V to 57V), 0.5 A to 0.3A, max. 15W
Working environment	-30°C ~ +60°C, 10%~95% RH
Casing	Metal IP67 IK10
Weight	1.4kg
Dimensions	∅ 144 × 333 mm



## BCS-V-TI236IR6-Ai

IR Network Bullet Camera 2Mpx with motozoom lens 2.8~12mm

Pole mount  
BCS-V-AS



Corner mount  
BCS-V-AR

