

BCS-V-EI221IR3

IR Network Dome Camera 2Mpx with fixed lens 2.8mm

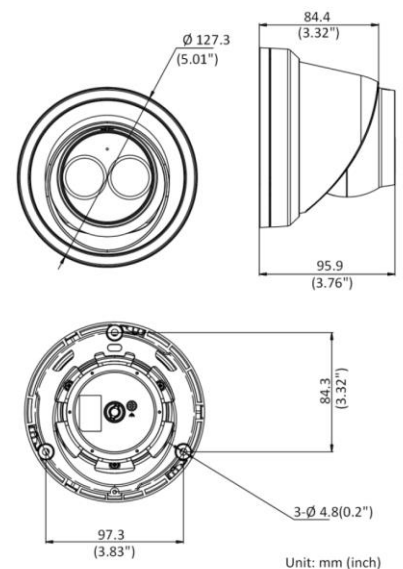


ONVIF®

Key features:

- Sensor 1/2.8" 2Mpx PS CMOS
- Triple stream coding
- Resolution 1920×1080@25/30fps
- Compression H.265+/H.264+/MJPEG
- IR-cut filter with auto switch (ICR)
- Functions AGC, AWB, AES, BLC, HLC, WDR(120dB), 3D DNR, ROI
- Motion detect, privacy masking
- Intelligent functions: intrusion, crossline, face detect
- Built-in web-service, support BCS-NVR, CMS(BCS Manager), mobile app BCS(iOS, android), P2P, Onvif
- Fixed lens 2.8mm F2.0
- IR range up to 30m
- Edge storage microSD up to 128GB
- Outside metal casing IP67
- Working environment -30°C ~ +60°C
- Power supply DC 12V, PoE

Dimensions:



BCS-V-EI221IR3

IR Network Dome Camera 2Mpx with fixed lens 2.8mm

Specification:

| | |
|------------------------|---|
| System video | IP |
| System scanning | Progressive Scan |
| Sensor | 1/2.8" 2Mpx CMOS |
| Pixels | 1920(H) × 1080 (V) |
| Minimum illumination | Color: 0.01 Lux @ (F1.2, AGC On), 0.028 Lux@(F2.0, AGC On), B/W:0Lux |
| Lens | Fixed 2.8mm F2.0, Angle of view H: 114°, V: 62° |
| White balance | (AWB) Auto/manual |
| Backlight compensation | BLC / HLC / WDR(120dB) |
| Shutter | Auto/manual (1/3~1/100000s) |
| Gain control | (AGC) Auto/manual |
| Noise reduction | 3D DNR |
| Day/night | IR-cut filter with auto switch (ICR) |
| IR range | Up to 30m |
| Video compression | H.265 / H.265+ / H.264 / H.264+ / MJPEG(second stream) |
| Resolution | 1080P(1920×1080) / 960H(1280×960) / 720P(1280×720) / VGA(640×480) / (640×360) / QVGA(320×240) |
| Main stream | 50Hz: 25fps (1920×1080, 1280×960, 1280×720) 60Hz: 30fps (1920×1080, 1280×960, 1280×720) |
| Second stream | 50Hz: 25fps (640×480, 640×360, 320×240) 60Hz: 30fps (640×480, 640×360, 320×240) |
| Third stream | 50Hz: 25fps (1920×1080, 1280×720, 640×360, 352×288) 60Hz: 30fps (1920×1080, 1280×720, 640×360, 352×240) |
| Network | RJ-45 (10M/100M) |
| Protocols | TCP/IP, ICMP, HTTP, HTTPS, FTP, DHCP, DNS, DDNS, RTP, RTSP, RTCP, NTP, UPnP, SMTP, IGMP, 802.1X, QoS, IPv6, UDP, Bonjour, P2P |
| Edge storage | microSD up to 128GB |
| Compatibility | ONVIF(Profile S, Profile G), ISAPI |
| Users | Max 32 |
| Mobile | iOS, android |
| Power supply | DC12V(±25%) / PoE(802.3af) |
| Power consumption | <6W |
| Working environment | -30°C ~ +60°C, 10%~95% RH |
| Casing | Metal IP67 |
| Weight | 0.6kg |
| Dimensions | Φ127.3 × 95.9mm |

