

## BCS-TQE8204IR3-B(-G)(II)

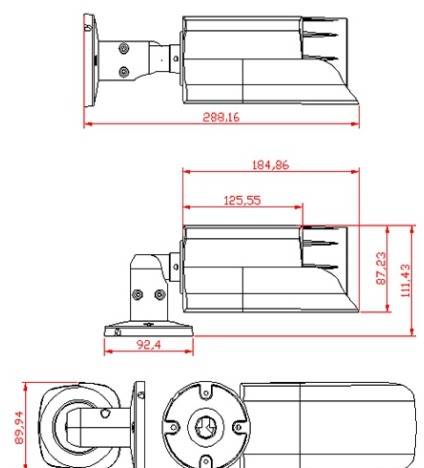
2Mpx IR bullet camera HDCVI/AHD/TVI/ANALOG with 5~50mm lens



### Key features:

- Sensor 1/2.9" 2Mpx PS CMOS
- Resolution 1920×1080@30fps
- 4 system: HDCVI/AHD/TVI/ANALOG
- IR-cut filter with auto switch (ICR)
- Functions AGC, AWB, BLC
- Digital Noise Reduction DNR
- Wide Dynamic Range D-WDR
- IR leds distance up to 50m
- Screen menu OSD
- Varifocal lens 5~50mm
- Protection IP66
- Working environment -20°C ~ +60°C
- System switch
- Power supply 12V DC(±10%)
- **BCS-TQE8204IR3-G(II)** – version in dark

### Dimensions:



**BCS-TQE8204IR3-B(-G)(II)**

2Mpx IR bullet camera HDCVI/AHD/TVI/ANALOG with 5~50mm lens

**Specification:**

Scanning system	Progressive Scan
System	HDCVI/AHD/TVI/ANALOG
Sensor	1/2.9" 2Mpx SONY CMOS IMX323 + FH8536H
Pixels	1920(H) × 1080(V)
Resolution	1080P(1920×1080)@25/30fps / 720P(1280×720)@25/30fps
Video out	HDCVI/AHD/TVI/ANALOG 1 V p-p, composite, BNC, 75 Ohm
Minimum illumination	Color: 0.01Lux@F1.2(AGC On) B/W: 0Lux (IR On)
S/N ratio	>50dB (AGC Off)
White balance	(AWB) Auto/manual
Lens	Varifocal 5~50mm F1.2
Backlight compensation	BLC / D-WDR
Shutter	Auto
Gain control	(AGC) Auto
Noise Reduction	3D DNR
Day/Night	IR-cut filter with auto switch (ICR)
IR	IR leds distance up to 50m
Power supply	12V DC (±10%)
Power consumption	<8W
Working environment	-20°C ~ +60°C, IP66
Weight	1.1kg
Dimensions	288mm × 89.9mm