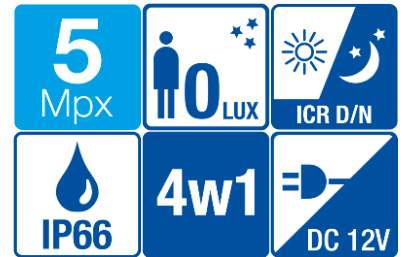
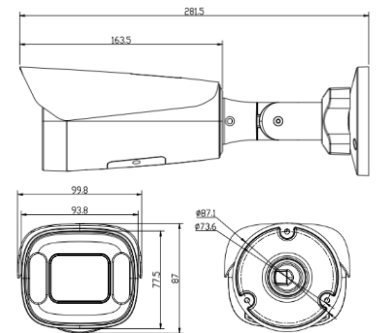


## BCS-TQE5500IR3-G(-B)(II)

Bullet camera 5Mpx HDCVI/AHD/TVI/ANALOG with lens 2.8-12mm



- Sensor 1/2.5" 5Mpx PS CMOS
- Resolution 2592×1944@20fps
- 4 systems: HDCVI/AHD/TVI/ANALOG
- IR cut filter with auto-switch
- Functions AGC, ATW, AES, 3DNR, BLC, DWDR
- OSD screen menu
- Varifocal lens 2.8-12mm
- IR range up to 60m
- Metal outside casing IP66
- Working environment -20°C ~ +60°C
- DIP switch
- Power supply 12V DC
- **BCS-TQE5500IR3-B(II)** -white version



## BCS-TQE5500IR3-G(-B)(II)

Bullet camera 5Mpx HDCVI/AHD/TVI/ANALOG with lens 2.8-12mm

Scanning system	Progressive Scan
System	HDCVI/AHD/TVI/ANALOG
Sensor	1/2.5" 5Mpx PS CMOS K05+FH8538M
Pixels	2592(H) × 1944(V)
Resolution	5M@20fps, 4M@25/30fps
Video out	HDCVI/AHD/TVI/ANALOG 1 V p-p, composite, BNC, 75 Ohm
Min. illumination	0.01Lux @ (F1.2,AGC ON), 0 Lux with IR
S/N ratio	>52dB
White balance	(ATW) Auto/manual
Lens	Varifocal 2.8-12mm
Backlight compensation	BLC/DWDR
Shutter	AES Auto/manual
Gain control	(AGC) Auto/manual
Noise reduction	3D DNR
Day/night	IR cut filter with auto-switch
IR	60m
Power supply	12V DC (±10%)
Power consumption	<8W
Working environment	-20°C ~ +60°C, RH<90%
Casing	Metal IP66
Weight	0.7kg
Dimensions	281mm×100mm×87mm



## BCS-TQE5500IR3-G(-B)(II)

Bullet camera 5Mpx HDCVI/AHD/TVI/ANALOG with lens 2.8-12mm

Adapter  
BCS-ATQ35-G(-B)(II)

