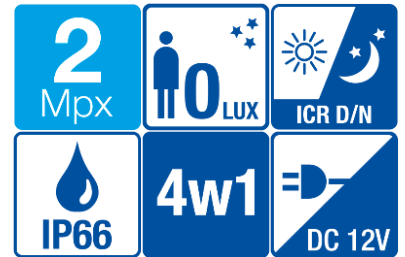
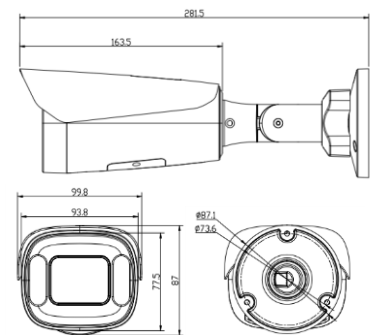


BCS-TQ5203IR3-G(-B)(II)

Bullet camera 2Mpx HDCVI/AHD/TVI/ANALOG with motozoom lens 2.8-12mm



- Sensor 1/2.8" 2Mpx PS CMOS
- Resolution 1920×1080@30fps
- 4 systems: HDCVI/AHD/TVI/ANALOG
- IR cut filter with auto-switch
- Functions AGC, ATW, AES, 3DNR, BLC, DWDR
- OSD screen menu
- Motozoom lens 2.8-12mm
- IR range up to 60m
- Metal outside casing IP66
- Working environment -20°C ~ +60°C
- DIP switch
- Power supply 12V DC
- **BCS-TQ5203IR3-B(II)** -white version



BCS-TQ5203IR3-G(-B)(II)

Bullet camera 2Mpx HDCVI/AHD/TVI/ANALOG with motozoom lens 2.8-12mm

| | |
|------------------------|--|
| Scanning system | Progressive Scan |
| System | HDCVI/AHD/TVI/ANALOG |
| Sensor | 1/2.8" 2Mpx PS CMOS SONY IMX307+ NVP2441 |
| Pixels | 1920(H) × 1080(V) |
| Resolution | 1920 × 1080@25/30fps |
| Video out | HDCVI/AHD/TVI/ANALOG 1 V p-p, composite, BNC, 75 Ohm |
| Min. illumination | 0.01Lux @ (F1.2,AGC ON), 0 Lux with IR |
| S/N ratio | >55dB |
| White balance | (ATW) Auto/manual |
| Lens | Motozoom 2.8-12mm |
| Backlight compensation | BLC/DWDR |
| Shutter | AES Auto/manual |
| Gain control | (AGC) Auto/manual |
| Noise reduction | 3D DNR |
| Day/night | IR cut filter with auto-switch |
| IR | 60m |
| Power supply | 12V DC (±10%) |
| Power consumption | <5.5W |
| Working environment | -20°C ~ +60°C, RH<90% |
| Casing | Metal IP66 |
| Weight | 0.7kg |
| Dimensions | 281mm×100mm×87mm |



BCS-TQ5203IR3-G(-B)(II)

Bullet camera 2Mpx HDCVI/AHD/TVI/ANALOG with motozoom lens 2.8-12mm

| | |
|--|---|
| <p>Adapter BCS-ATQ35-G(-B)(II)</p> |  |
| | |

