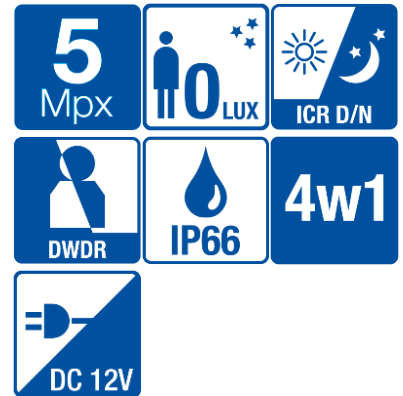
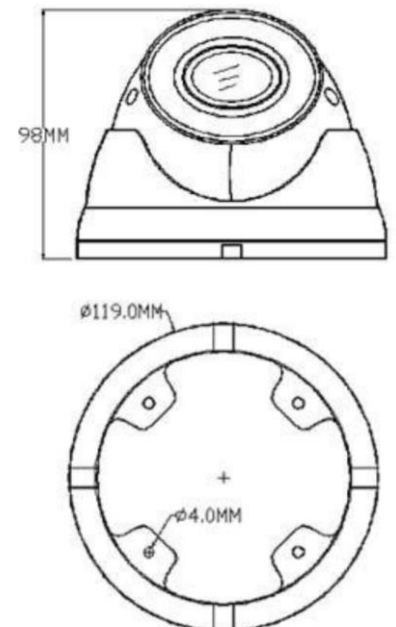


## BCS-DMQE4500IR3-G(-B)(II)

5Mpx HDCVI / AHD / TVI / ANALOG eyeball camera with 3.3 ~ 12mm lens



- 1 / 2.9 "5Mpx PS SONY CMOS sensor
- Resolution 2560 × 1944 @ 20fps
- 4in1 camera: HDCVI / AHD / TVI / ANALOG
- Mechanical infrared filter
- AGC, AWB, AES functions
- Digital DNR noise reduction
- Wide dynamic range D-WDR
- On-Screen Display (OSD) menu
- 3.3 ~ 12mm varifocal lens
- Infrared with a range of up to 40m
- IP66 outdoor housing
- Working temperature -20 ° C ~ + 60 ° C
- DIP switch for change systems
- 12V DC power supply (± 10%)



## BCS-DMQE4500IR3-G(-B)(II)

5Mpx HDCVI / AHD / TVI / ANALOG eyeball camera with 3.3 ~ 12mm lens

Scanning system	Progressive Scan
System	HDCVI/AHD/TVI/ANALOG
Sensor	1/2.9" 5Mpx SONY IMX326 CMOS JX-K03+FH8538M
Pixels	2704(H) × 1950(V)
Resolution	5Mpx(2560×1944)@20fps / 4Mpx(2560×1440)@30fps
Video output	HDCVI/AHD/TVI/ANALOG 1 V p-p, composite, BNC, 75 Ohm
Min illumination	0.02Lux@F1.2(AGC), 0Lux(IR)
White balance	(AWB) Auto/manual
Lens	Varifocal 3.3~12mm F1.2
Background compensation	D-WDR
Shutter	1/25 - 1/50000s
Gain control	(AGC) Auto
Noise reduction	2D DNR
Day / night function	ICR IR 40m
Power	12VDC(±10%)
Power consumption	<5W
Working conditions	-20°C ~ +60°C
Case	IP66
Dimensions and weight	98mm × 119mm 0.4kg

# ACCESSORIES

## BCS-DMQE4500IR3-G(-B)(II)

5Mpx HDCVI / AHD / TVI / ANALOG eyeball camera with 3.3 ~ 12mm lens

Adapter  
BCS-ADMQ4

