

# BCS-DMQE1200IR3(-B)



2Mpx IR eyeball camera HDCVI/AHD/TVI/ANALOG with 2.8mm lens

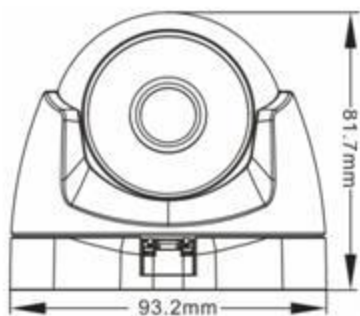


## Key features

- Sensor 1/2.9" 2Mpx SONY IMX323 CMOS + V30E
- 25fps@1920x1080(1080P)
- 4 system: HDCVI/AHD/TVI/ANALOG
- IR-cut filter with auto switch (ICR)
- Functions AGC, AWB, BLC, D-WDR
- Fixed lens 2.8mm
- IR Led distance up to 30m
- New IR leds life time up to 50 000 hours
- System change switch
- Easy adjustment and installation
- Metal case protection IP66
- Power supply 12V DC

**BCS-DMQE1200IR3-B – version in white casing**

## Dimensions



## Specification

Model		BCS-DMQE1200IR3(-B)
System		HDCVI, AHD, TVI, ANALOG
Sensor		1/2.9" 2Mpx SONY IMX323 CMOS + V30E
Pixels		1920x1080 (1080p)
Video out		1 V p-p, composite, BNC, 75 Ohm
Minimum illumination		0 Lux/F1.3 (IR On)
S/N ratio		> 50dB (AGC Off)
White balance		AWB (Auto/Manual)
Basic functions	Lens	2.8mm F1.3
	Backlight compensation	BLC / D-WDR
	Shutter	Auto/Manual (1/50~1/10000s)
	Gain control	(AGC) Auto/Manual
	Noise reduction	Auto/Manual
	Day/night	IR-cut filter with auto switch (ICR)
	IR Led distance	up to 30m – 2 IR3 Leds
Power supply		12VDC
Power consumption		<5W
Working environment		-30°C ~ +60°C
Weight		0,3kg
Dimensions		93.2mm x 81.7mm