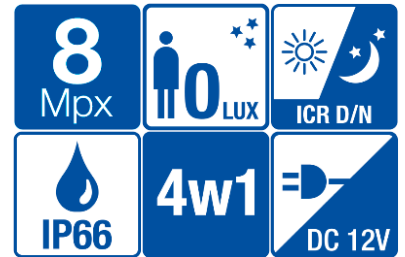


BCS-DMQ2803IR3-G(-B)

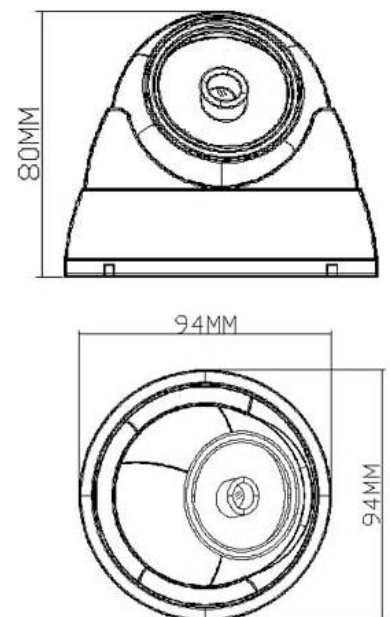
8Mpx IR eyeball camera HDCVI/AHD/TVI/ANALOG with 3.6mm lens



Key features:

- Sensor 1/1.8" 8Mpx CMOS
- Resolution 3840x2160@15fps
- 4 system: HDCVI/AHD/TVI/ANALOG
- IR-cut filter with auto switch (ICR)
- Functions AGC, AWB, AES, BLC
- Digital Noise Reduction DNR
- IR leds distance up to 30m
- Screen menu OSD
- Fixed lens 3.6mm
- Protection IP66
- Working environment -30°C ~ +60°C
- System switch
- Power supply 12V DC(±10%)
- **BCS-DMQ2803IR3-B** – version in white casing

Dimensions:



BCS-DMQ2803IR3-G(-B)

8Mpx IR eyeball camera HDCVI/AHD/TVI/ANALOG with 3.6mm lens

Specification:

Scanning system	Progressive Scan
System	HDCVI/AHD/TVI/ANALOG
Sensor	1/1.8" 8Mpx CMOS OmniVision PureCel OS08A10 + NVP2481H
Pixels	3840(H) × 2160(V)
Resolution	AHD/TVI/CVI: 8Mpx(3840×2160)@15fps
Video out	HDCVI/AHD/TVI/ANALOG 1 V p-p, composite, BNC, 75 Ohm
Minimum illumination	Color: 0.01Lux@F1.2 (AGC On) B/W: 0Lux (IR On)
S/N ratio	>50dB
White balance	(AWB) Auto/manual
Lens	Fixed 3.6mm F1.2
Backlight compensation	BLC
Shutter	Auto/FLK
Gain control	(AGC) Auto/manual
Noise Reduction	2D/3D DNR
Image rotate	Mirror/flip
Day/Night	IR-cut filter with auto switch (ICR)
IR	IR leds distance up to 30m
Power supply	12V DC (±10%)
Power consumption	<10W
Working environment	-30°C ~ +60°C
Weight	0.25kg
Dimensions	80mm × 94mm
Casing	Metal, IP66

