

BCS-DMQ2203IR3-G(-B)

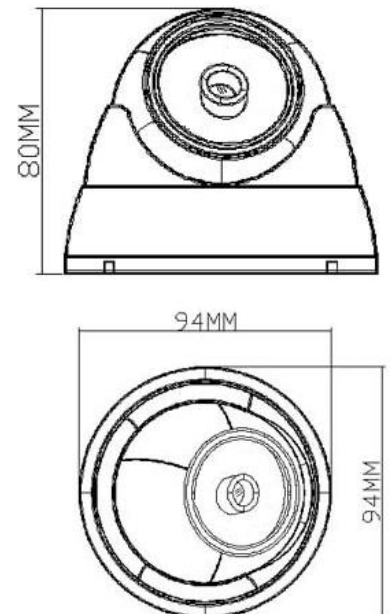
2Mpx STARVIS IR eyeball camera HDCVI/AHD/TVI/ANALOG with 2.8mm lens



Key features:

- Sensor 1/2.8" 2Mpx SONY STARVIS CMOS
- Resolution 1920×1080@30fps
- 4 system: HDCVI/AHD/TVI/ANALOG
- IR-cut filter with auto switch (ICR)
- Functions AGC, AWB, AES, BLC
- Digital Noise Reduction DNR
- Wide Dynamic Range WDR(100dB)
- IR leds distance up to 20m
- Screen menu OSD
- Fixed lens 2.8mm
- Protection IP66
- Working environment -20°C ~ +60°C
- System switch
- Power supply 12V DC(±10%)
- **BCS-DMQ2203IR3-B** – version in white

Dimensions:



BCS-DMQ2203IR3-G(-B)

2Mpx STARVIS IR eyeball camera HDCVI/AHD/TVI/ANALOG with 2.8mm lens

Specification:

Scanning system	Progressive Scan
System	HDCVI/AHD/TVI/ANALOG
Sensor	1/2.8" 2Mpx SONY STARVIS IMX307 CMOS + Eyenix
Pixels	1920(H) × 1080(V)
Resolution	1080P(1920×1080)@25/30fps / 720P(1280×720)@25/30fps
Video out	HDCVI/AHD/TVI/ANALOG 1 V p-p, composite, BNC, 75 Ohm
Minimum illumination	Color: 0.01Lux@F2.0(AGC On) B/W: 0Lux (IR On)
S/N ratio	>50dB (AGC Off)
White balance	(AWB) Auto/manual
Lens	Fixed 2.8mm F2.0
Backlight compensation	BLC / WDR(100dB)
Shutter	Auto
Gain control	(AGC) Auto/manual
Noise Reduction	3D DNR
Day/Night	IR-cut filter with auto switch (ICR)
IR	IR leds distance up to 20m
Power supply	12V DC (±10%)
Power consumption	<8W
Working environment	-20°C ~ +60°C, IP66
Weight	0.25kg
Dimensions	80mm × 94mm