

BCS-DMQ1803IR3-G(-B)

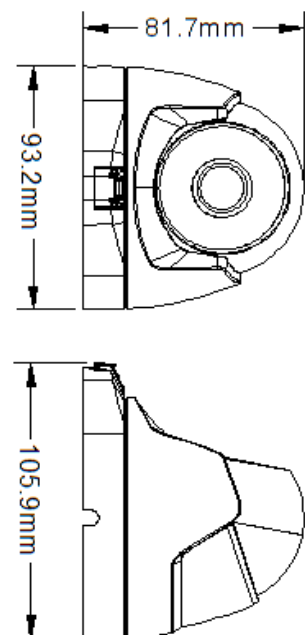
8Mpx IR eyeball camera HDCVI/AHD/TVI/ANALOG with 3.6mm lens



Key features:

- Sensor 1/2.5" 8Mpx SONY STARVIS CMOS
- Resolution 3840×2160@15kl/s
- 4 system: HDCVI/AHD/TVI/ANALOG
- IR-cut filter with auto switch (ICR)
- Functions AGC, AWB, AES
- Digital Noise Reduction DNR
- Wide Dynamic Range WDR(120dB)
- Screen menu OSD
- Fixed lens 3.6mm
- IR 2 Led array distance up to 30m with life time up to 50 000 hours
- Protection IP66
- Working environment -30°C ~ +60°C
- Output selectable from switch
- Power supply 12V DC(±10%)
- **BCS-DMQ1803IR3-B** – version in white

Dimensions:



BCS-DMQ1803IR3-G(-B)

8Mpx IR eyeball camera HDCVI/AHD/TVI/ANALOG with 3.6mm lens

Specification:

Scanning system	Progressive Scan
System	HDCVI/AHD/TVI/ANALOG
Sensor	IMX274+FH8556, 1/2.5" 8Mpx SONY STARVIS CMOS
Pixels	3840(H) × 2160(V)
Resolution	8Mpx(3840×2160)@15kl/s; 5Mpx(2704×1950)@20kl/s; 4Mpx(2560×1440)@25/30kl/s; 1080P(1920×1080)@25/30kl/s; 720P(1280×720)@25/30kl/s
Video out	Digital: HDCVI/AHD/TVI Analog: 1 V p-p, composite, BNC, 75 Ohm
Minimum illumination	B/W: 0Lux (IR On)
S/N ratio	> 50dB (AGC Off)
White balance	AWB (Auto/Manual)
Lens	3.6mm
Backlight compensation	WDR(120dB)
Shutter	Auto
Gain control	(AGC) Auto
Noise Reduction	2D/3D
Defog	Off/On - regulation
Motion Detect	4 areas
Privacy masking	16 areas
Image rotate	Flip horizontal/vertical
Day/Night	IR-cut filter with auto switch (ICR)
IR	IR 2 Led array distance up to 30m
Power supply	12V DC (±10%)
Power consumption	<5W
Working environment	-30°C ~ +60°C, IP66
Weight	0.3kg
Dimensions	93.2mm(105.9mm) × 81.7mm

