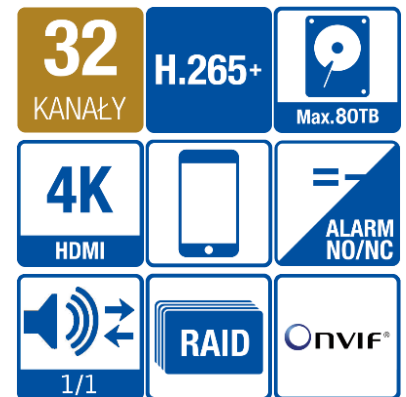
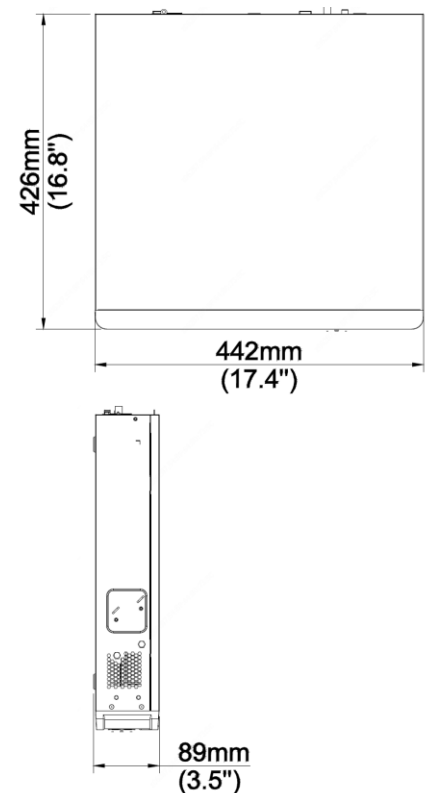


## BCS-P-NVR3208R-A-4K-III

32 channel 8 HDD IP network video recorder



- Display and recording of up to 32 IP cameras at a maximum resolution of 12Mpx
- H.265 + / H265 / H.264 + / H.264 compression
- Maximum Incoming Bandwidth 384Mbps, Outgoing 384Mbps
- Independent video out HDMI1 4K / HDMI2 4K and VGA 1080P outputs
- Advanced video detection: motion detection, blackout, image loss
- Support for intelligent functions from cameras: face detection, people counting, intrusion into the area, line crossing, audio detection
- Fisheye dewrapping mode
- Support for 8 SATA drives up to 10TB each
- RAID 0, 1, 5, 6, 10, Hot spare
- 3 × USB, RS485, RS232, eSATA, 1 audio input and 1 audio output, 12VDC output
- 16 alarm inputs and 4 alarm outputs
- Built-in web server, support via CMS (BCS Manager), BCS mobile application (iOS, android), P2P, Onvif



## BCS-P-NVR3208R-A-4K-III

32 channel 8 HDD IP network video recorder

Processor	Built-in high-performance processor
Operating system	LINUX
System functionality	Live View, Record, Playback, Archiving and Remote Access
System control	Mouse, network, remote control
IP channels	32
Video output	2xHDMI 4K, 1xVGA 1080P
Display resolutions	VGA: 1920x1080/60Hz, 1920x1080/50Hz, 1600x1200/60Hz, 1280x1024/60Hz, 1280x720/60Hz, 1024x768/60Hz HDMI1/HDMI2: 4K(3840x2160)/60Hz, 4K(3840x2160)/30Hz, 1920x1080/60Hz, 1920x1080/50Hz, 1600x1200/60Hz, 1280x1024/60Hz, 1280x720/60Hz, 1024x768/60Hz
Corridor mode	3/4/5/7/9/10/12/16/32
Recording resolution	12M/8M/6M/5M/4M/3M/1080p/960p/720p/D1/2CIF/CIF
Maximum bandwidth	Incoming: 384Mbps, Outgoing: 384Mbps
Display performance	2 x 12MP@30, 4 x 4K@30, 8 x 4MP@30, 9 x 4MP@25, 16 x 1080P@30, 32 x 960P@25
Video compression	H.265+/H265/H.264+/H.264
Audio	1 in / 1 out
Alarm	16 in / 4 out
Synchronous playback	16x
Data archivization	Flash (USB) / Network download
Network interface	2 Porty RJ-45 (10/100/1000Mbps)
Remote connections	128
Compatibility	Onvif(S/G/T)
Supported protocols	P2P, UPnP, NTP, DHCP, PPPoE
Hard drive	8xSATA max 10TB each drive (in total 80TB)
RAID	0, 1, 5, 6, 10
Interfaces	2xUSB2.0, 1xUSB3.0, RS485, RS232, eSATA, power out 12V DC
Power	AC100~240V, Power consumption < 25W (without HDD)
Working conditions	-10°C ~+55°C / 10~90%RH
Dimensions and weight	442mm x426mmx 89mm 5.7kg

