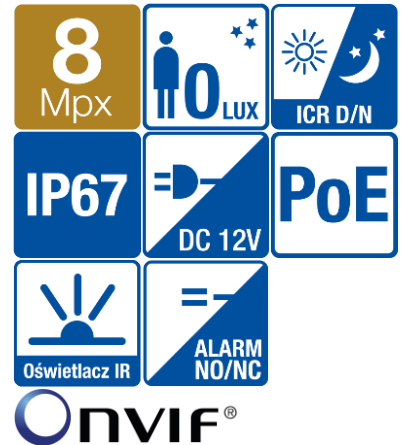


## BCS-P-418RW(-G)

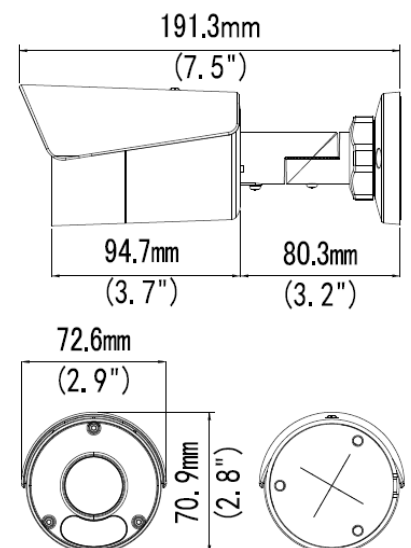
Network bullet camera 8Mpx with 4mm lens



### Key features:

- Sensor 1/2.5" 8Mpx PS CMOS
- Compression H.265+/H.264+/MJPEG
- Resolution 3840×2160@20fps
- Triple stream coding
- IR cut filter with auto switch ICR
- Digital Noise Reduction 2D/3D
- Built-in Web service, support BCS-NVR, CMS(BCS Manager), mobile app BCS(android, iOS), P2P, Onvif
- Functions AWB, AGC, AES, BLC, HLC, ROI, Defog
- Wide Dynamic Range WDR(120dB)
- Motion detect, privacy masking
- Intelligent functions: crossline, intrusion, abandoned/missing object, people counting, face detect
- IR distance up to 30m
- Fixed lens 4mm
- Outside metal casing IP67
- Working environment -30°C ~ +60°C
- Power supply DC12V (±25%) / PoE

### Dimensions:



## BCS-P-418RW(-G)

Network bullet camera 8Mpx with 4mm lens

### Specification:

System video	IP
Scanning System	Progressive Scan
Sensor	1/2.5" 8Mpx CMOS
Pixels	3840(H) × 2160(V)
Minimum illumination	0.05Lux/F2.0 (Color, AGC On); 0Lux(B/W, IR On)
S/N ratio	> 52dB
Lens	Fixed 4mm F2.0 angle of view H: 91.6°, V: 47.2°
DORI(Detect/Observe/Recognize/Identify)	72m/29m/14m/7m
White balance	(AWB) Auto/manual
Backlight compensation	BLC / HLC / WDR(120dB)
Shutter	Auto/manual (1~1/100000s)
Gain control	(AGC) Auto/manual
Noise reduction	2D/3D NR
Motion detect	4 areas
Privacy masking	8 areas
Image rotate	Mirror, flip
Focus	Auto
Day/night	IR cut filter with auto-switch
IR distance	Up to 30m
Compression video	H.265 / H.265+ / H.264 / H.264+ / MJPEG
Resolution	8M(3840×2160) / 5M(2592×1944) / 5M(2944×1656) / 4M(2560×1440) / 1080P(1920×1080) / 720P(1280×720) / D1(704×576) / (640×360) / 2CIF(704×288) / CIF(352×288)
Main stream	8M@15/20fps; 5M@25/30fps; 4M@25/30fps; 1080P@25/30/50/60fps
Second stream	1080P/720P/D1/(640×360)/2CIF/CIF@25fps
Third stream	D1/(640×360)/2CIF/CIF@25fps
Network	RJ-45 (10M/100M Base-TX)
Protocols	IPv4, IGMP, ICMP, ARP, TCP, UDP, DHCP, PPPoE, RTP, RTSP, RTCP, DNS, DDNS, NTP, FTP, UPnP, HTTP, HTTPS, SMTP, 802.1x, SNMP, QoS, P2P
Compatibility	ONVIF(Profile S, Profile T), API
Users	Mx 10 logged in
Mobile users	iOS, android
Power supply	DC12V (voltage tolerance ±25%) / PoE(IEEE802.3 af)
Power consumption	<8W
Working environment	-30°C ~ +60°C, 10%~95% RH
Casing	Metal, IP67
Weight	0.5kg
Dimensions	191.3mm × 72.6mm × 70.9mm

