

BCS-P-415R-E-II

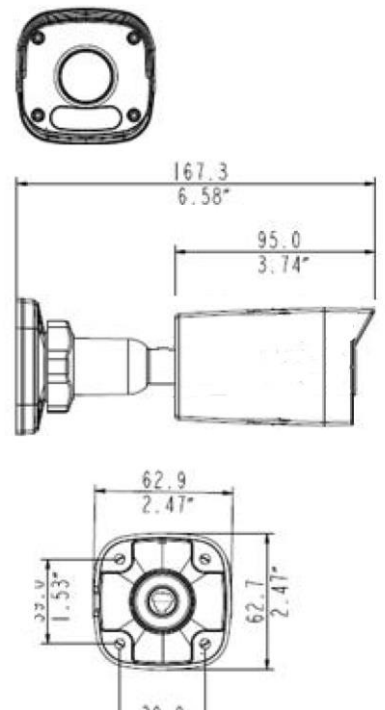
Network IR mini bullet camera 5Mpx with 4mm lens



Key features:

- Sensor 1/2.7" 5Mpx PS CMOS
- Compression H.265+/H.264+/MJPEG
- Dual stream coding
- IR-cut filter with auto switch (ICR)
- Digital Noise Reduction 2D/3D
- Built-in web-service, support BCS-NVR, CMS(BCS Manager), P2P
- Functions AWB, AGC, BLC, HLC, ROI, D-WDR, Defog
- Motion detect, privacy masking
- IR distance up to 30m
- Fixed lens 4mm F2.0
- Outside metal casing with protection IP67
- Working environment -30°C ~ +60°C
- Power supply DC12V (voltage range $\pm 25\%$) / PoE

Dimensions:



BCS-P-415R-E-II

Network IR mini bullet camera 5Mpx with 4mm lens

Specification:

System video	IP
System scanning	Progressive Scan
Sensor	1/2.7" 5Mpx CMOS
Pixels	2592(H) × 1944(V)
Minimum illumination	0.01Lux/F2.0 (Color, AGC On); 0Lux(B/W, IR On)
S/N ratio	> 52dB
Lens	Fixed 4mm F2.0; angle of view H: 79.7°, V: 51.8°
DORI(Detect/Observe/Recognize/Identify)	4mm: 60m/24m/12m/6m
White balance	(AWB) Auto/manual
Backlight compensation	BLC / HLC / D-WDR
Shutter	Auto/manual (1~1/100000s)
Gain control	(AGC) Auto/manual
Noise reduction	2D/3D NR - regulation
Motion detect	4 areas (regulation: size, position, sensitivity, threshold)
Privacy masking	4 areas (regulation: size, position)
Image rotate	Mirror, flip
Focus	Auto
Day/night	IR-cut filter with auto switch (ICR)
IR range	Up to 30m
Video compression	H.265 / H.265+ / H.264 / H.264+ / MJPEG
Resolution	5M(2592×1944) / 4M(2592×1520) / 3M(2048×1520) / 1080P(1920×1080) / 720P(1280×720) / D1(704×576) / (640×360) / 2CIF(704×288) / CIF(352×288)
Main stream	5M/4M/3M/1080P@20fps
Second stream	720P/D1/(640×360)/2CIF/CIF@20fps
Network	RJ-45 (10M/100MBase-TX)
Protocols	IPv4, IGMP, ICMP, ARP, TCP, UDP, DHCP, PPPoE, RTP, RTSP, RTCP, DNS, DDNS, NTP, FTP, UPnP, HTTP, HTTPS, SMTP, 802.1x, SNMP, P2P
Compatibility	ONVIF(Profile S, Profile G, Profile T), API
Users	Max 10 logged in
Mobile users	iOS, android
Power supply	DC12V (voltage range ±25%) / PoE(IEEE802.3 af)
Power consumption	4.5W
Working environment	-30°C ~ +60°C, 10%~90% RH
Casing	Metal, protection IP67
Weight	0.4kg
Dimensions	167.3×62.9×62.7mm

