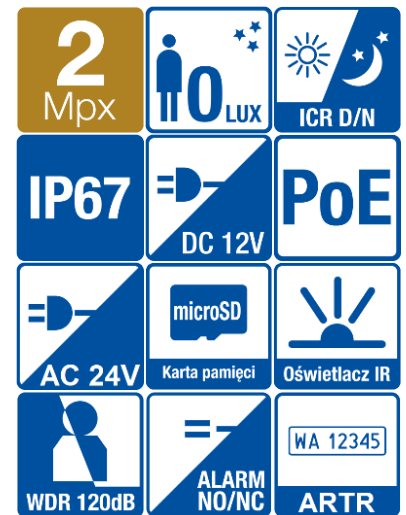


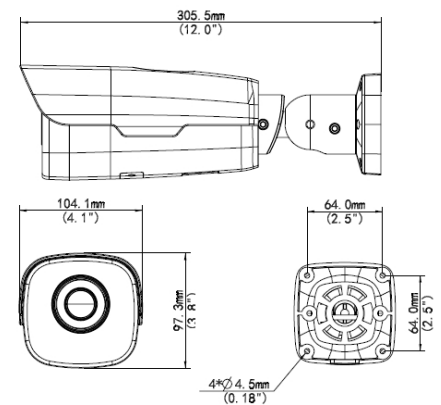
BCS-P-462R3WSA-ITC

Network ANPR bullet 2Mpx camera



ONVIF®

- Function ANPR – Automatic Number Plate Recognition
- Function White List
- Sensor 1/2.8" 2Mpx SONY PS CMOS
- Compression H.265/H.264
- Main stream coding
- IR cut filter with auto-switch ICR
- Digital Noise Reduction 2D/3D
- Built-in web-service, support BCS-NVR, CMS(BCS Manager), mobile app BCS(iOS, android), P2P, Onvif
- Function AWB, AGC, BLC, HLC, ROI, WDR(120dB), Defog
- IR range 100m
- Motozoom lens 2.8~12mm F1.4
- Outside metal casing IP67
- Edge storage microSD 128GB
- 2 alarm in / 1 alarm out
- 1 audio in / 1 audio out
- Working environment -40°C ~ +60°C
- Power supply DC12V / AC24V / PoE
- Lighting protection 6kV



BCS-P-462R3WSA-ITC

Network ANPR bullet 2Mpx camera

System video	IP
Scanning system	Progressive Scan
Sensor	1/2.8" 2Mpx SONY CMOS
Pixels	1920(H) × 1080(V)
Minimum illumination	0.03Lux/F1.4 (Color, AGC On); 0.01Lux/F1.4 50IRE(B/W); 0Lux(B/W, IR On)
S/N ratio	> 52dB
Lens	Motozoom 2.8~12mm F1.4
Angle of view	H: 105°~33°, V: 58.4°~14.9°
White balance	(AWB) Auto/manual
Backlight compensation	BLC / HLC / WDR(120dB)
Shutter	Auto/manual (1/10~1/100000s)
Gain control	(AGC) Auto/manual
Noise reduction	2D/3D NR - regulation
Focus	Auto/manual
Dy/night	IR cut filter with auto-switch ICR
IR range	100m
Video compression	H.265 / H.264
Resolution	1080P(1920×1080)/720P(1280×720)/D1(704×576)/2CIF(704×288)/CIF(352×288)
Network	RJ-45 (10M/100MBase-TX)
Protocols	IPv4, IGMP, ICMP, ARP, TCP, UDP, DHCP, PPPoE, RTP, RTSP, RTCP, DNS, DDNS, NTP, FTP, UPnP, HTTP, HTTPS, SMTP, 802.1x, SNMP, P2P
Compatibility	ONVIF 2.4
Users	Max 10 logged in
Mobile users	iOS, android
Edge storage	microSD 128GB
Interfaces	RS485, BNC
Power supply	DC12V (±25%) / AC24V(±25%) / PoE(IEEE802.3af)
Power consumption	13.7W
Working environment	-40°C ~ +60°C, 10%~95% RH
Casing	Metal IP67
Weight	1.65kg
Dimensions	305.5 × 104.1 × 97.3mm

