

BCS-P-212R-E-II

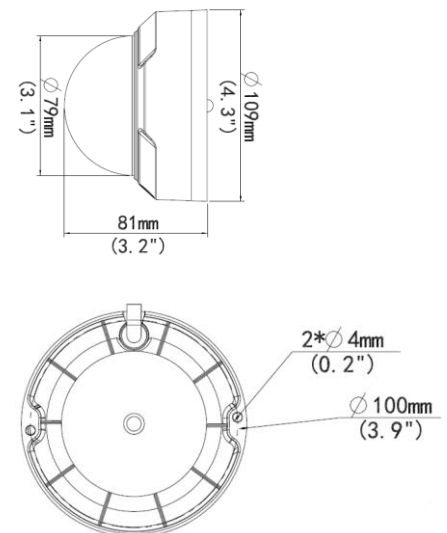
Network IR dome camera 2Mpx with 2.8mm lens



Key features:

- Sensor 1/2.7" 2Mpx PS CMOS
- Compression H.265+/H.264+/MJPEG
- Resolution 1080P@25fps
- Triple stream coding
- IR-cut filter with auto switch (ICR)
- Digital Noise Reduction 2D/3D
- Built-in web-service, support BCS-NVR, CMS(BCS Manager), mobile app BCS(iOS, android), P2P
- Functions AWB, AGC, AES, BLC, HLC, ROI, D-WDR, Defog
- Motion detect, privacy masking
- IR distance up to 30m
- Fixed lens 2.8mm F2.0
- Outside casing with protection IP67, IK10
- Working environment -30°C ~ +60°C
- Power supply DC12V (voltage range $\pm 25\%$) / PoE

Dimensions:



BCS-P-212R-E-II

Network IR dome camera 2Mpx with 2.8mm lens

Specification:

System video	IP
System scanning	Progressive Scan
Sensor	1/2.7" 2Mpx CMOS
Pixels	1920(H) × 1080(V)
Minimum illumination	0.02Lux/F2.0 (Color, AGC On); 0Lux(B/W, IR On)
S/N ratio	> 52dB
Lens	Fixed 2.8mm F2.0; angle of view H: 112.7°, V: 60.1°
DORI(Detect/Observe/Recognize/Identify)	2.8mm: 47m/19m/9m/5m
White balance	(AWB) Auto/manual
Backlight compensation	BLC / HLC / D-WDR
Shutter	Auto/manual (1~1/100000s)
Gain control	(AGC) Auto/manual
Noise reduction	2D/3D NR - regulation
Motion detect	4 areas (regulation: size, position, sensitivity, threshold)
Privacy masking	4 areas (regulation: size, position)
Image rotate	Mirror, flip
Focus	Auto
Day/night	IR-cut filter with auto switch (ICR)
IR range	Up to 30m
Video compression	H.265 / H.265+ / H.264 / H.264+ / MJPEG
Resolution	1080P(1920×1080) / 720P(1280×720) / D1(704×576) / (640×360) / 2CIF(704×288) / CIF(352×288)
Main stream	1080P/720P@30fps
Second stream	720P/D1/(640×360)/2CIF/CIF@30fps
Triple stream	D1/(640×360)/2CIF/CIF@30fps
Network	RJ-45 (10M/100MBase-TX)
Protocols	IPv4, IGMP, ICMP, ARP, TCP, UDP, DHCP, PPPoE, RTP, RTSP, RTCP, DNS, DDNS, NTP, FTP, UPnP, HTTP, HTTPS, SMTP, 802.1x, SNMP, P2P
Compatibility	ONVIF(Profile S, Profile T), API
Users	Max 10 logged in
Mobile users	iOS, android
Edge storage	-
Power supply	DC12V (voltage range ±25%) / PoE(IEEE802.3 af)
Power consumption	4.5W
Working environment	-30°C ~ +60°C, 10%~95% RH
Casing	Protection IP67, IK10
Weight	0.4kg
Dimensions	Φ109 × 81 mm

