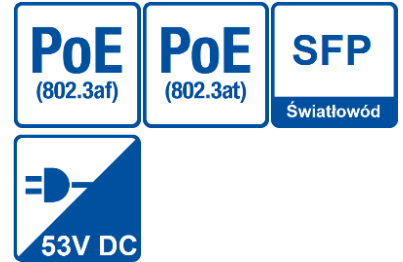
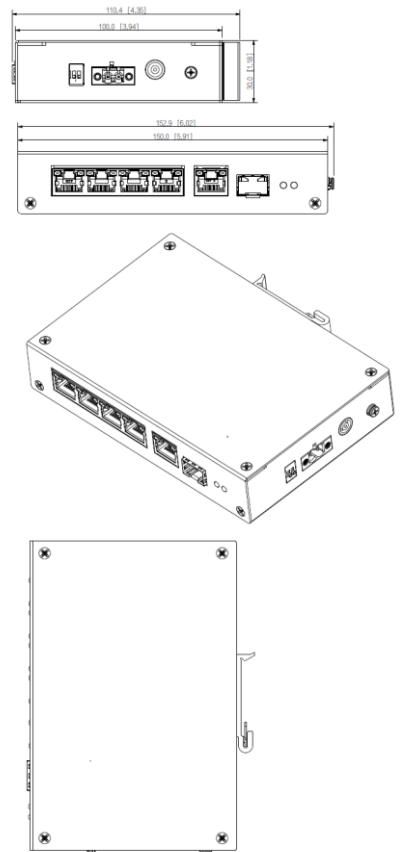


## BCS-L-SP0401G-1SFP

Switch PoE 60W 4×PoE 100Mbps + 1×1Gbps uplink + 1×SFP 1Gbps uplink



- Intelligent PoE switch
- 4 PoE 100Mbps ports
- 1 RJ45 1Gbps uplink port
- 1 SFP 1Gbps uplink optical port
- Standard IEEE802.3af / IEEE802.3at / Hi-PoE
- Power 60 W
- PoE watchdog
- Extended data transmission up to 250m at 10Mbps
- Operating conditions  $-30^{\circ}\text{C}$  to  $+65^{\circ}\text{C}$
- Metal housing
- 53V DC power supply



## BCS-L-SP0401G-1SFP

Switch PoE 60W 4×PoE 100Mbps + 1×1Gbps uplink + 1×SFP 1Gbps uplink

PoE ports	4 × RJ-45 10/100Mbps
Uplink ports	1 × RJ-45 10/100/1000 Mbps; 1 × SFP 100/1000 Mbps
Capacity	6.80 Gbps
Forwarding Packets	3.57 Mpps
Packet buffer memory	1 Mbit
MAC table	8K
Communication standard	IEEE802.3; IEEE802.3u; IEEE802.3X; IEEE 802.3ab; IEEE 802.3z
PoE standard	IEEE802.3af; IEEE802.3at; Hi-PoE
Standard mode	100m
Long distance mode	250m (10Mbps)
Power	60W
Pins	PoE/Hi-PoE: 1, 2, 4, 5 (V+), 3, 6, 7, 8 (V-)
Protection	Electrostatic 15kV environment / 8kV contact; 2kV DM / 4kV surge protection CM
Power	53V DC
Power consumption	Min. 2.5W Max. 60W
Working conditions	-30°C do +65°C; 5%–95% (RH)
Weight	0.45kg
Dimensions	150 mm × 100 mm × 30 mm

