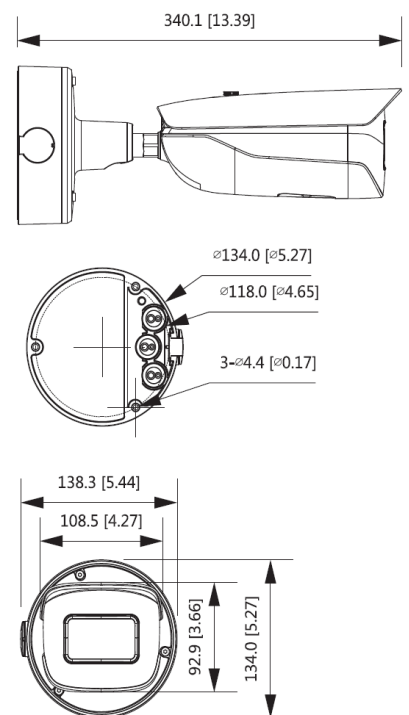


BCS-TIP8801IR-Ai-0832

8Mpx bullet network IP camera with advanced support for intelligent functions



- 1 / 1.8 "8Mpx PS CMOS sensor
- Starlight technology
- H.265 + / H.264 + / MJPEG encoding
- Support for three coding streams
- 8 ~ 32mm F1.6 motorzoom lens
- ICR mechanical infrared filter
- Built-in web service, compliance with BCS-NVR, CMS (BCS Manager), BCS mobile application (iOS, android), P2P, Onvif
- AWB, AES, AGC, BLC, HLC, WDR (120dB), Ultra DNR, Defog, ROI, EIS functions
- Advanced analytics of intelligent functions: perimeter protection, face detection, object recognition, metadata, intelligent real-time analysis and advanced search, people counting, lost / left object, audio detection
- Infrared range up to 120m
- 1 audio input and 1 audio output
- 3 alarm inputs and 2 alarm outputs
- IP67, IK10 metal outdoor housing
- Working temperature -40 ° C ~ + 60 ° C
- Support for microSD cards up to 256GB
- DC12V, AC24V, PoE (802.3at), ePoE power supply



BCS-TIP8801IR-Ai-0832

8Mpx bullet network IP camera with advanced support for intelligent functions

Video system	IP
Scanning system	Progressive Scan
Sensor	1/1.8" 8Mpx CMOS
RAM / ROM	2GB/4GB
Pixels	3840×2160
Min illumination	0.005Lux/F1.6(Color); 0Lux/F1.6(IR)
S / N ratio	>56dB
Lens	Motozoom 8mm~32mm; F1.6
Viewing angle	Horizontal: 40°(W)–15°(T) Vertical: 23°(W)–9°(T) Diagonal: 45° (W)–17°(T)
DORI (Detect/Observe/Recognize/Identify)	8mm: 218m/87m/43m/21m; 32mm: 580m/232m/116m/58m
White balance	(AWB) Auto/manual
Background compensation	BLC/HLC/WDR(120dB)
Shutter	1/3~1/100000s
Gain control	(AGC) Auto/manual
Noise reduction	Ultra 2D/3D DNR
Motion detection	4
Privacy mask	4
Image rotation	Mirror, Flip 0°/90°/180°/270°
Focus	Auto/manual
Day Night	ICR
IR	120m
Video compression	H.265 / H.265+ / H.264 / H.264+ / MJPEG
Resolution	8M(3840×2160) / 6M(3072×2048/3072×1728) / 5M(2592×1944) / 4M(2688×1520) / 3M(2048×1536/2304×1296) / 1080p(1920×1080) / 1.3M(1280×960) / 720p(1280×720) / D1(704×576/704×480) / VGA(640×480) /
Main stream	3840 × 2160 (1–25/30 fps)
Second stream	704 × 576 (1–25/30 fps)
Third stream	1920 × 1080 (1–25/30 fps)
Bitrate	H.264: 32 Kbps–16384 Kbps H.265: 12 Kbps–16384 Kbps
Network connection	RJ-45 (10/100Mbps Base-T)
Protocols	HTTP; Hhttps; 8021.x; TCP; ARP; RTSP; RTP; UDP; RTCP; SMTP; FTP; DHCP; DNS; DDNS; PPPoE; IPv4/v6; SNMP; QoS; UPnP; NTP; SFTP; RTMP; Bonjour
Audio	1 in / 1 out
Audio coding	G.711a/ G.711Mu/ AAC/ G.726/G.723
Alarm	3 in: 5mA 5V DC 2 out: 1000mA 30V DC/500mA 50V AC
Compatibility	ONVIF(S/G/T), CGI, P2P
Users	Max 20 logged in
Mobile users	iOS, android
Memory card slot	microSD do 256GB
Power	DC12V, AC24V, PoE(802.3af), ePoE Power consumption<17.3W
Working conditions	-40°C ~+60°C / 10~95%RH
Case	IP67, IK10
Dimensions and weight	340.1 mm × 108.5 mm × 92.9 mm (13.39" × 4.27" × 3.66") (L × W × H) 1.6kg

