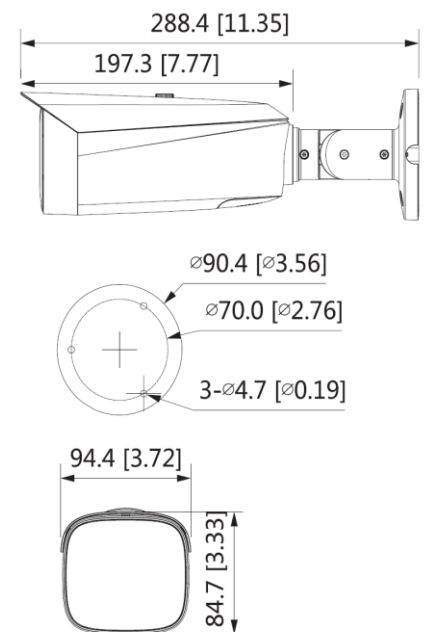


BCS-L-TIP55FCL4-Ai1

5Mpx tube camera with light and sound alarms



- 1 / 2.7 "5Mpx PS CMOS sensor
- NightColor technology
- H.265 + / H.264 + / MJPEG encoding
- Support for three coding streams
- Light visualization of alarms
- Sound messages, the ability to upload your own messages
- AGC, AES, AWB, BLC, HLC, WDR (120dB), ROI, 3DNR functions
- 2.8mm F1.0 lens
- Illuminator up to 40m
- Built-in web service, compliance with BCS-NVR, CMS (BCS Manager), BCS mobile application (iOS, android), P2P, Onvif
- Motion detection, privacy masks
- Intelligent functions: perimeter protection, line crossing, intrusion into the area
- Built-in microphone and speaker, 1 audio input and 1 audio output
- 1 input and 1 alarm output
- IP67 outdoor housing
- MicroSD memory card slot max. 256GB
- 12V DC and PoE (802.3af) power supply



BCS-L-TIP55FCL4-Ai1

5Mpx tube camera with light and sound alarms

Scanning system	Progressive Scan
System	IP
RAM / ROM	512MB/128MB
Sensor	1/2.7" 5Mpx CMOS
Pixels	2592(H) × 1944(V)
Min illumination	0.003Lux/F1.0
S / N ratio	>56dB
White balance	(AWB) Auto/manual
Lens	2.8mm F1.0
Focus	Fixed
Iris	Fixed
Viewing angle	H: 98°, V: 71°
DORI	Detect 67m/ Observe 27m/ Recognize 13m/ Identify 7m
Background compensation	BLC / HLC / WDR(120dB)
Shutter	Auto/manual (1/3~1/100000s)
Gain control	(AGC) Auto/manual
Noise reduction	3D DNR
Motion detection	4 areas
Privacy zone	4 areas
Image rotation	Mirror, flip 90°, 180°, 270°
IR range	40m
Video compression	H.265 / H.265+ / H.264 / H.264+ / MJPEG(second stream)
Resolution	5M (2592 × 1944); 4M (2688 × 1520); 4M (2560 × 1440); 3M (2304 × 1296); 1080p (1920 × 1080); 1.3M (1280 × 960); 720p (1280 × 720); D1 (704 × 576/704 × 480); VGA (640 × 480); CIF (354 × 288/354 × 240)
Main stream	2592 × 1944 @1-20 fps/ 2688 × 1520 @1-25/30 fps
Second stream	704 × 576 @1-25 fps/704 × 480 @ 1-20fps
Third stream	1920 × 1080 @1-25/30 fps
Bitrate	H.264: 32 kbps–8192 kbps H.265: 12 kbps–8192 kbps
Network connection	RJ-45 (10/100Mbps)
Audio	Built-in microphone and speaker, 1 audio input and 1 audio output
Audio compression	PCM; G.711a; G.711Mu; G.726; G.723
Alarm	1 in 5mA 3V–5V DC / 1 out 300mA 12V DC
Protocols	IPv4; IPv6; HTTP; TCP; UDP; ARP; RTP; RTSP; RTCP; RTMP; SMTP; FTP; SFTP; DHCP; DNS; DDNS; QoS; UPnP; NTP; Multicast; ICMP; IGMP; NFS; SAMBA; PPPoE; SNMP
Compatibility	ONVIF(S/G/T)
Users	Max 20 logged in
Mobile users	iOS, android
Memory card slot	microSD do 256GB
Power	DC12V / PoE(802.3af)
Power consumption	2W (12V DC); 2.6W (PoE) max. 7.5W (12V DC); 8.8W (PoE)
Working conditions	-40°C ~ +60°C, ≤ 95% RH
Case	IP67
Weight	1kg
Dimensions	288.4 mm × 94.4 mm × 84.7 mm



BCS-L-TIP55FCL4-Ai1

5Mpx tube camera with light and sound alarms

Junction box
BCS-AT5V



Junction box
BCS-AT135



Junction box
BCS-AT356

