

BCS-TIP5201IR-V-VI

Network Bullet Camera 2Mpx with motozoom lens 2.7~13.5mm

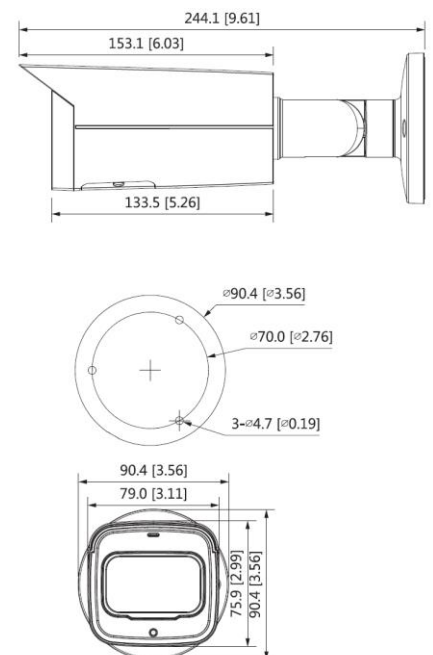


ONVIF®

Key features:

- Sensor 1/2.8" 2Mpx PS CMOS
- Starlight technology
- Compression H.265+/H.264+/MJPEG
- Dual stream coding
- IR cut filter with auto-switch ICR
- Functions AGC, AES, AWB, BLC, HLC, WDR(120dB), ROI, 3DNR
- Motozoom lens 2.7~13.5mm F1.5
- IR range up to 60m
- Built-in web-service, support BCS-NVR, CMS(BCS Manager), mobile app BCS(iOS, android), P2P, Onvif
- Motion detect, privacy masking
- Intelligent functions: crossline, intrusion
- Outside metal casing IP67
- Edge storage microSD max. 256GB
- Power supply 12V DC i PoE

Dimensions:



BCS-TIP5201IR-V-VI

Network Bullet Camera 2Mpx with motozoom lens 2.7~13.5mm

Specification:

Scanning system	Progressive Scan
System	IP
RAM/ROM	128MB/128MB
Sensor	1/2.8" 2Mpx CMOS
Pixels	1920(H) × 1080(V)
Min. Illumination	0.002Lux/F1.5 (Kolor), 0Lux/F1.5 (IR Wt.)
White balance	(AWB) Auto/manual
Lens	Motozoom 2.7~13.5mm F1.5
Angle of view	H: 109°~28°, V: 57°~16°
DORI(Detect/Observe/Recognize/Identify)	W: 44m/18m/9m/4m T: 152m/61m/30m/15m
Backlight compensation	BLC / HLC / WDR(120dB)
Shutter	Auto/manual (1/3~1/100000s)
Gain control	(AGC) Auto/manual
Noise reduction	3D DNR
Motion detect	4 areas
Privacy masking	4 areas
Image rotate	Mirror, flip 90°, 180°, 270°
Focus	Auto/manual
Day/night	IR cut filter with auto-switch ICR
IR	4 IR leds up to 60m
Video compression	H.265 / H.265+ / H.264 / H.264+ / MJPEG
Resolution	2M(1920×1080) / 1.3M(1280×960) / 720P(1280×720) / D1(704×576) / VGA(640×480) / CIF(352×288)
Main stream	2M/1.3M/720P(1~25/30fps)
Second stream	D1/VGA/CIF(1~25/30fps)
Bitrate	H.264: 32Kbps~6144Kbps, H.265: 12Kbps~6144Kbps
Network	RJ-45 (10/100Base-T)
Protocols	IPv4; IPv6; HTTP; HTTPS; TCP; UDP; ARP; RTP ; RTSP; RTCP; RTMP; SMTP; FTP; SFTP; DHCP; DNS; DDNS; QoS; UPnP; NTP; Multicast; ICMP; IGMP; NFS; PPPoE; 802.1x; Bonjour
Compatibility	ONVIF(Profil S/Profil G/Profil T);CGI; P2P; Milestone; Genetec
Users	Max 20 logged in
Mobile	iOS, android
Edge storage	microSD up to 256GB
Power supply	DC12V (voltage tolerance ±30%) / PoE(802.3af)
Power consumption	<9.6W
Working environment	-30°C ~ +60°C, ≤ 95% RH
Casing	Metal IP67
Weight	0.86kg
Dimensions	Ø90.4mm×244.1mm

