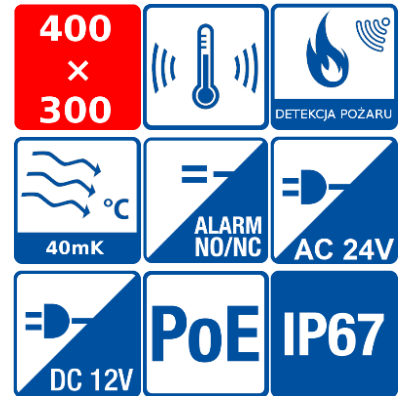
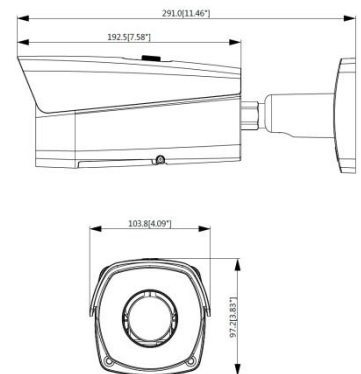


BCS-TIP9413-TW

Network bullet thermal imaging camera 400 × 300 with a 13mm lens



- Uncooled microbolometer sensor with active absorbent material in the form of VOx vanadium oxide
- 13mm thermal camera lens, thermal sensitivity <math><40\text{mK}@f/1.0</math>
- Effective pixels 400 (H) × 300 (V), pixel size 17 μm
- 7 ~ 14 μm spectral characteristics
- Temperature measurement in the range from -20 ° C to + 550 ° C (measurement error ± 2 ° C)
- Fire detection and alarm
- Intelligent functions: line crossing, intrusion into an area, object disappearance / appearance
- 2 alarm inputs and 1 alarm output
- 1 audio input and 1 audio output
- MicroSD card slot up to 128GB
- IP67 metal outdoor housing
- 12VDC / 24VAC / PoE power supply



BCS-TIP9413-TW

Network bullet thermal imaging camera 400 × 300 with a 13mm lens

Sensor	Uncooled VOx microbolometer sensor
Number of pixels	400(H)x300(V)
Pixel size	17um
Thermal sensitivity	<40mK@f/1.0
Spectral characteristics	7~14um
Image settings	Brightness / sharpness /ROI/AGC/FFC/3DNR
Color palette	14
Temperature measurement	Low gain: -20°C ~ +150°C High gain: 0°C ~ +550°C
Measurement error	Max (±2°C, ±2%)
Measure mode	Spot/line/area
Measurement presets	Spot: 12 / line: 12 / area: 12
Lens	Fixed 13mm angle of view H:29.7° V:22.3°
Video compression	H.264/MJPEG
Main stream	1280×1024/720P@1~30fps
Second stream	640×512/320×256@1~30fps
Bitrate	H.264: 640 ~ 8192Kbps
Motion detection	4
ROI	4
Privacy mask	4
Image rotation	Mirror/flip
Audio	1 in / 1 out
Audio compression	G.711a/G.711Mu/AAC
Network connection	RJ-45 (10/100Base-T)
Protocols	IPv4/IPv6, HTTP, HTTPS, SSL, TCP/IP, UDP, UPnP, ICMP, IGMP, SNMP, RTSP, RTP, SMTP, NTP, DHCP, DNS, PPPOE, DDNS, FTP, IP Filter, QoS, Bonjour, 802.1x
Compatibility	ONVIF(S/G), PSIA, CGI
Users	Max 20 logged in
Mobile users	iOS, android
Alarm	2 in / 1 out
Memory card slot	microSD 128GB
Interfaces	RS485, BNC(1Vp-p 75Ω)
Power	DC12V/AC24V (±15%) / PoE
Power consumption	<10W
Working conditions	-40°C~+60°C, 10%~95% RH
Case	Metal, IP67
Weight	1.37kg
Dimensions	291×103×97mm

