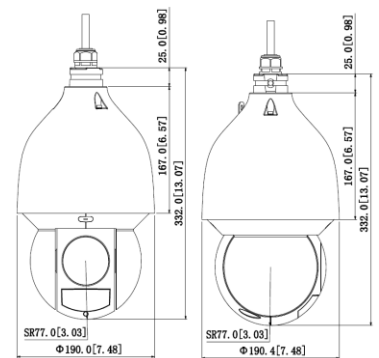


BCS-SDIP4225-Ai-II

Network PTZ camera 2Mpx STARVIS with zoom 25×



- Sensor 1/2.8" 2Mpx PS STARVIS CMOS
- Starlight Technology
- Compression H.265+/H.264+/MJPEG
- Triple stream coding
- Lens 5.4~135mm with optical zoom 25×
- IR cut filter with auto-switch ICR
- Web-service, support BCS-NVR, CMS(BCS Manager), mobile app BCS(iOS, android), P2P
- Functions AWB, AES, AGC, BLC, HLC, WDR(120dB), Ultra DNR, Defog, ROI, EIS
- Intelligent functions: crossline, intrusion, face detect, abandoned/missing object, audio detect, heat-map, auto-tracking, SMD Plus, perimeter protection, metadata
- Max 60fps@2Mpx(1920×1080)
- Max speed 400°/s, PAN:0°~360°, TILT:-15°~90°
- IR range 150m
- Automatic functions: 300 presets, 5 pattern, 8 tour, auto-scan, auto-pan
- Intelligent positioning 3D
- Metal casing with protection IP67, IK10
- Working environment -40°C ~ +70°C
- Power supply AC24V, PoE+(802.3at)



BCS-SDIP4225-Ai-II

Network PTZ camera 2Mpx STARVIS with zoom 25x

Video System	IP
Scanning system	Progressive Scan
Sensor	1/2.8" 2Mpx STARVIS CMOS
Pixels	1920×1080
RAM/ROM	1GB/4GB
Min. illumination	Color: 0.005Lux@F1.35; B/W: 0.0005Lux@F1.35; IR Wt: 0Lux
Lens	Motozoom 5.4mm~135mm; F1.6~F3.5
Angle of view	H: 58.7°~3.1°; V: 33.2°~1.7°; D: 67.3°~3.9°
Zoom	Optical 25x, digital 16x
DORI(Detect/Observe/Recognize/Identify)	1655m/657m/331m/166m
White balance	(AWB) Auto/manual
Backlight compensation	BLC/HLC/WDR(120dB)
Shutter	1/3~1/30000s
Gain control	(AGC) Auto/manual
Noise reduction	Ultra 2D/3D DNR
Motion detect	4 areas
Privacy masking	24 areas
Image rotate	Flip 180°
Focus	Auto/manual
Day/night	IR cut filter with auto-switch ICR
IR range	150m
PAN range	0°~360° endless
TILT range	-15°~90° auto flip 180°
PAN speed	0.1°~300°/s (400°/s in preset)
TILT speed	0.1°~200°/s (300°/s in preset)
Automatic functions	300 presets, 5 pattern, 8 tour, auto-scan, auto-pan
Power up Action / Idle Motion	Auto restore to previous PTZ and lens status after power failure; Activate Preset/ Scan/ Tour/ Pattern if there is no command in the specified period
Video compression	H.265 / H.265+ / H.264 / H.264+ / MJPEG (second stream)
Resolution	1080P (1920 × 1080); 1.3M (1280 × 960); 720P (1280 × 720); D1 (704 × 576); CIF (352×288)
Main stream	1080P/1.3M/720P (1~50/60 fps)
Second stream	D1/CIF(1 ~ 25/30fps)
Third stream	720P (1~25/30 fps)
Bitrate	H.264: 3 Kbps~20480 Kbps H.265: 3 Kbps~20480 Kbps
Network	RJ-45 (10M/100MBase-T)
Protocols	IPv4; IPv6; HTTP; HTTPS; 802.1x; Qos; FTP; SMTP; UPnP; SNMPv1/v2c/v3(MIB-2); DNS; DDNS; NTP; RTSP; RTP; TCP; UDP; IGMP; ICMP; DHCP; PPPoE; ARP; RTCP
Audio	1 in / 1 out
Audi compression	G.711A; G.711Mu; G.726; AAC; G.722.1; G.723; G.729; PCM; MPEG2-Layer2
Alarm	2 in / 1 out
Compatibility	ONVIF(S&G&T), CGI
Users	Max 20 logged in
Mobile users	iOS, android
Edge storage	microSD up to 256GB
Power supply	AC24V/3A(±25%), PoE+(802.3at), Power consumption 12W (20W IR On)
Working environment	-40°C ~+70°C / 10~95%RH
Casing	Metal IP67, IK10
Dimensions and weight	Φ190mm×332mm 4.7kg

