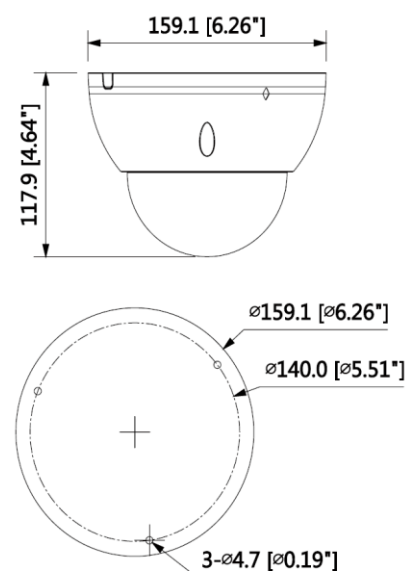


BCS-DMIP5801IR-Ai

8Mpx dome IP camera with advanced support for smart functions



- 1 / 1.8 "8Mpx PS CMOS sensor
- Starlight technology
- H.265 + / H.264 + / MJPEG encoding
- Support for three coding streams
- 2.7 ~ 12mm F1.2 motozoom lens
- ICR mechanical infrared filter
- Built-in web service, compliance with BCS-NVR, CMS (BCS Manager), BCS mobile application (iOS, android), P2P, Onvif
- AWB, AES, AGC, BLC, HLC, WDR (120dB), Ultra DNR, Defog, ROI, EIS functions
- Advanced analytics of intelligent functions: perimeter protection, face detection, object recognition, metadata, intelligent real-time analysis and advanced search, people counting, lost / left object, audio detection
- Infrared heater up to 40m
- 1 audio input and 1 audio output
- 3 alarm inputs and 2 alarm outputs
- IP67, IK10 metal outdoor housing
- Working temperature -40 ° C ~ + 60 ° C
- Support for microSD cards up to 256GB
- DC12V, AC24V, PoE (802.3af), ePoE power supply



BCS-DMIP5801IR-Ai

8Mpx dome IP camera with advanced support for smart functions

| | |
|--|---|
| Video system | IP |
| Scanning system | Progressive Scan |
| Sensor | 1/1.8" 8Mpx CMOS |
| RAM / ROM | 4GB/2GB |
| Pixels | 3840×2160 |
| Min illumination | 0.003Lux/F1.2(Color); 0Lux/F1.2(IR On) |
| S / N ratio | >50dB |
| Lens | Motozoom 2.7mm~12mm; F1.2 |
| Viewing angle | Horizontal: 114°(W)–47°(T) Vertical: 59°(W)–27°(T) Diagonal: 141° (W)–55°(T) |
| DORI (Detect/Observe/Recognize/Identify) | 2.7mm: 87m/35m/17m/9m; 12mm: 187m/75m/37m/19m |
| White balance | (AWB) Auto/manual |
| Background compensation | BLC/HLC/WDR(120dB) |
| Shutter | 1/3~1/100000s |
| Gain control | (AGC) Auto/manual |
| Noise reduction | Ultra 2D/3D DNR |
| Motion detection | 4 areas |
| Privacy mask | 4 areas |
| Image rotation | Mirror, Flip 0°/90°/180°/270° |
| Focus | Auto/manual |
| Day Night | IR cut filter with auto-switch(ICR) |
| IR range | 60m |
| Video compression | H.265 / H.265+ / H.264 / H.264+ / MJPEG |
| Resolution | 8M(3840×2160) / 6M(3072×2048/3072×1728) / 5M(2592×1944) / 4M(2688×1520) / 3M(2048×1536/2304×1296) / 1080p(1920×1080) / 1.3M(1280×960) / 720p(1280×720) / D1(704×576/704×480) / VGA(640×480) / |
| Main stream | 3840 × 2160 (1–25/30 fps) |
| Second stream | 704 × 576 (1–25/30 fps) |
| Third stream | 1920 × 1080 (1–25/30 fps) |
| Bitrate | H.264: 32 Kbps–16384 Kbps H.265: 12 Kbps–16384 Kbps |
| Network connection | RJ-45 (10/100Mbps Base-T) |
| Protocols | HTTP; Https; 8021.x; TCP; ARP; RTSP; RTP; UDP; RTCP; SMTP; FTP; DHCP; DNS; DDNS; PPPoE; IPv4/v6; SNMP; QoS; UPnP; NTP; SFTP; RTMP; Bonjour |
| Audio | 1 in / 1 out |
| Audio coding | G.711a/ G.711Mu/ AAC/ G.726/G.723 |
| Alarm | 3 channel In: 5mA 5V DC 2 channel Out: 1000mA 30V DC/500mA 50V AC |
| Compatibility | ONVIF(S/G/T), CGI, P2P |
| Users | Max 20 logged in |
| Mobile users | iOS, android |
| Memory card slot | microSD do 256GB |
| Power | DC12V, AC24V, PoE(802.3af), ePoE Power consumption <15.7W |
| Working conditions | -40°C ~+60°C / 10~95%RH |
| Case | Outside metal IP67, IK10 |
| Dimensions and weight | Φ159.0 mm × 117.9 mm, 0.95kg |

