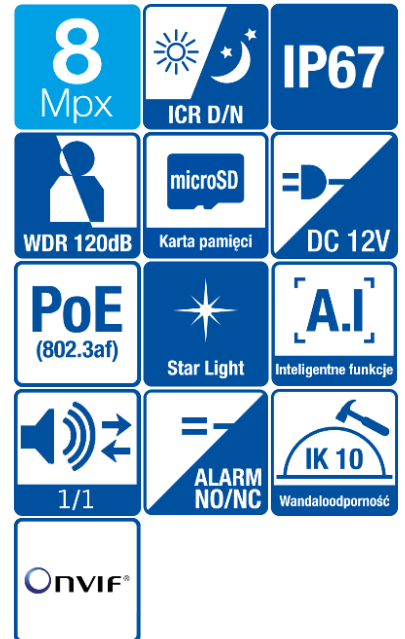
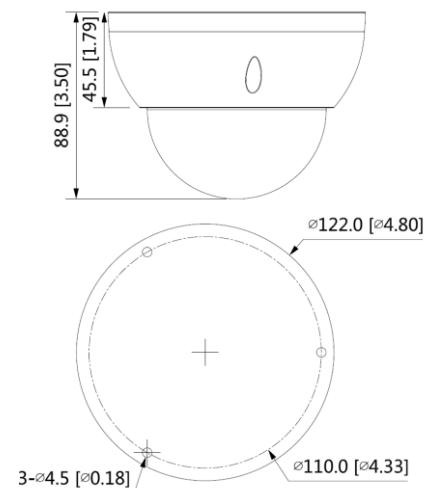


BCS-DMIP3801IR-V-E-Ai

Network dome camera 8Mpx with motozoom lens 2.7~13.5mm



- Sensor 1/2.8" 8Mpx PS CMOS
- Starlight technology
- Compression H.265+/H.264+/MJPEG
- Triple stream coding
- IR cut filter with auto-switch ICR
- Functions AGC, AES, AWB, BLC, HLC, WDR(120dB), ROI, 3D DNR
- Motozoom lens 2.7~13.5mm F1.5
- IR range up to 40m
- Built-in web-service, support BCS-NVR, CMS(BCS Manager), mobile app BCS(iOS, android), P2P, Onvif
- Motion detect, privacy masking
- Intelligent functions: perimeter protection, crossline, intrusion, recognition of human and vehicle, audio detect
- 1 audio in / 1 audio out
- 1 alarm in / 1 alarm out
- Outside metal casing IP67, IK10
- Edge storage microSD up to 256GB
- Power supply DC12V/PoE(802.3af)



BCS-DMIP3801IR-V-E-Ai

Network dome camera 8Mpx with motozoom lens 2.7~13.5mm

System	IP
Scanning system	Progressive Scan
RAM/ROM	512MB/128MB
Sensor	1/2.8" 8Mpx CMOS
Pixels	3840×2160
Min. illumination	0.007 Lux@F1.5 (Color, 30IRE) 0.0007 Lux@F1.5 (B/W, 30IRE) 0 Lux (IR On)
S/N ratio	>56dB
White balance	(AWB) Auto/manual
Lens	Motozoom 2.7~13.5mm F1.5
Angle of view	Horizontal: 113°-31° Vertical: 58°-17° Diagonal: 138°-36°
DORI	W: Detect 85m / Observe 34m / Recognize 17m / Identify 9m T: Detect 280m / Observe 112m / Recognize 56m / Identify 28m
Backlight compensation	BLC / HLC / WDR(120dB)
Shutter	Auto/manual (1/3~1/100000s)
Gain control	(AGC) Auto/manual
Noise reduction	3D DNR
Motion detect	4 areas
Privacy masking	4 areas
Image rotate	Mirror, flip 90°, 180°, 270°
Focus	Auto/manual
Day/night	IR cut filter witch auto-switch ICR
IR range	40m
Video compression	H.265 / H.265+ / H.264 / H.264+ / H.264B / H.264H / MJPEG(second stream)
Resolution	8M (3840 × 2160); 6M (3072 × 2048); 5M (3072 × 1728/2592 × 1944); 4M (2688 × 1520); 3M (2048 × 1536/2304 × 1296); 1080p (1920 × 1080); 1.3M (1280 × 960); 720p (1280 × 720); D1(704 × 576/704 × 480); VGA (640 × 480); CIF (352 × 288/352 × 240)
Main stream	3840 × 2160 @(1-20 fps) 3840 × 2160 @(1-25/30 fps when Ai functions disabled)
Second stream	704 × 576 @(1-25 fps)/704 × 480 @ (1-30 fps)
Third stream	1920 × 1080 @(1-25/30 fps)
Bitrate	H.264: 3Kbps~8192Kbps, H.265: 3Kbps~8192Kbps
Audio	1 in / 1 out
Audio compression	G.711a; G.711Mu; G726
Alarm	1 channel in: 5mA 3V-5V DC / 1 channel out: 300mA 12V DC
Network	RJ-45 (10/100Mbps)
Protocols	IPv4; IPv6; HTTP; TCP; UDP; ARP; RTP; RTSP; RTCP; RTMP; SMTP; FTP; SFTP; DHCP; DNS; DDNS; QoS; UPnP; NTP; Multicast; ICMP; IGMP; NFS; SAMBA; PPPoE; SNMP
Compatibility	ONVIF(S/G/T)
Users	Max 20 logged in
Mobile	iOS, android
Edge storage	microSD up to 256GB
Power supply	DC12V(±30%), PoE(802.3af) Power consumption: 2.7W (12V DC); 3.3W (PoE) Max. (WDR + H.265 +IR): 6.8W (12V DC); 8.2W (PoE)
Working environment	-30°C ~ +60°C, ≤ 95% RH
Casing	Metal IP67, IK10
Weight	0.5kg
Dimensions	φ122mm×88.9mm



BCS-DMIP3801IR-V-E-Ai

Network dome camera 8Mpx with motozoom lens 2.7~13.5mm

Junction box
BCS-AD2M3V



Wall mount
BCS-UD1

