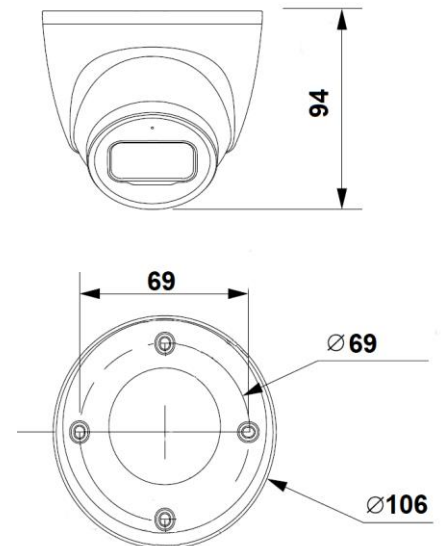


BCS-DMIP2801IR-E-Ai

Network Eyeball Camera 8Mpx with 2.8mm lens



- Sensor 1/2.8" 8Mpx PS CMOS
- Starlight technology
- Compression H.265+/H.264+/MJPEG
- Triple stream coding
- IR cut filter with auto-switch ICR
- Functions AGC, AES, AWB, BLC, HLC, WDR(120dB), ROI, 3D DNR
- Fixed lens 2.8mm F1.4
- IR range up to 30m
- Built-in web-service, support BCS-NVR, CMS(BCS Manager), mobile app BCS(iOS, android), P2P, Onvif
- Motion detect, privacy masking
- Intelligent functions: crossline, intrusion, perimeter protection, audio detect
- Built-in microphone
- Outside metal casing IP67
- Edge storage microSD max. 256GB
- Power supply 12VDC/PoE(802.3af)



BCS-DMIP2801IR-E-Ai

Network Eyeball Camera 8Mpx with 2.8mm lens

Scanning system	Progressive Scan
System	IP
RAM/ROM	512MB/128MB
Sensor	1/2.8" 8Mpx CMOS
Pixels	3840(H) × 2160(V)
Min illumination	0.007Lux/F1.4 (Color), 0Lux/F1.4 (IR On)
White balance	(AWB) Auto/manual
Lens	Fixed 2.8mm F1.4
Angle of view	Horizontal 108° × Vertical 58° × Diagonal 127°
DORI	Detect 85m/ Observe 34m/ Recognize 17m/ Identify 9m
Backlight compensation	BLC / HLC / WDR(120dB)
Shutter	Auto/manual (1/3~1/100000s)
Gain control	(AGC) Auto/manual
Noise reduction	3D DNR
Motion detect	4 areas
Privacy masking	4 areas
Image rotate	Mirror, flip 90°, 180°, 270°
Focus	Fixed
Day/night	IR cut filter witch auto-switch ICR
IR range	30m
Video compression	H.265 / H.265+ / H.264 / H.264+ / H.264B / H.265H / MJPEG(second stream)
Resolution	8M (3840 × 2160); 6M (3072 × 2048); 5M (3072 × 1728/2592 × 1944); 4M (2688 × 1520); 3M (2048 × 1536/2304 × 1296); 1080p (1920 × 1080); 1.3M (1280 × 960); 720p (1280 × 720); D1(704 × 576/704 × 480); VGA (640 × 480); CIF (352 × 288/352 × 240)
Main stream	3840 × 2160 @(1–20 fps) 3840 × 2160 @(1–25/30 fps with Ai function off)
Second stream	704 × 576 @(1–25 fps)/704 × 480 @ (1–30 fps)
Third stream	1920 × 1080 @(1–25/30 fps)
Bitrate	H.264: 3 Kbps–8192 Kbps H.265: 3 Kbps–8192 Kbps
Audio	Built-in microphone
Audio compression	G.711A; G.711Mu; G.726
Network	RJ-45 (10/100Mbps)
Protocols	IPv4;IPv6;HTTP;HTTPS;TCP;UDP;ARP;RTP;RTSP;RTCP;RTMP;SMTP;FTP;SFTP;DHCP; DNS;DDNS;QoS;UPnP;NTP;Multicast;ICMP;IGMP;NFS;PPPoE;802.1x;SNMP
Compatibility	ONVIF(S/G/T)
Users	Max 20 logged in
Mobile	iOS, android
Edge storage	microSD up to 256GB
Power supply	DC12V (±30%) / PoE(802.3af)
Power consumption	2.6W (12V DC); 3.3W (PoE); Max. (WDR + IR): 6.9W (12V DC); 7.9W (PoE)
Working environment	-40°C ~ +60°C, ≤ 95% RH
Casing	Outside metal IP67
Weight	0.55kg
Dimensions	φ106mm×94mm



BCS-DMIP2801IR-E-Ai

Network Eyeball Camera 8Mpx with 2.8mm lens

Junction box
BCS-ADMM



Junction box
BCS-AT135



Junction box
BCS-AT48



Wall mount
BCS-UDU

