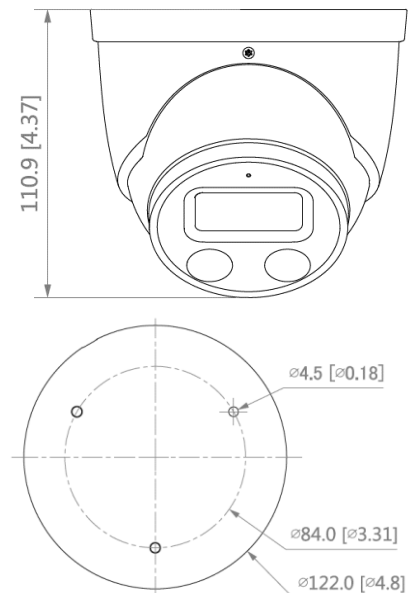


BCS-L-EIP55FCL3-Ai1

5Mpx dome camera with light and sound alarms



- 1 / 2.7 "5Mpx PS CMOS sensor
- NightColor technology
- H.265 + / H.264 + / MJPEG encoding
- Support for three coding streams
- Light visualization of alarms
- Audio alarms, the ability to upload your own messages
- AGC, AES, AWB, BLC, HLC, WDR (120dB), ROI, 3DNR functions
- 2.8mm F1.0 lens
- Illuminator up to 30m
- Built-in web service, compliance with BCS-NVR, CMS (BCS Manager), BCS mobile application (iOS, android), P2P, Onvif
- Motion detection, privacy masks
- Intelligent functions: perimeter protection, line crossing, intrusion into the area, object recognition, intelligent search
- Built-in microphone and speaker, 1 audio input and 1 audio output
- 1 input and 1 alarm output
- IP67 outdoor housing
- MicroSD memory card slot max. 256GB
- 12V DC and PoE (802.3af) power supply



BCS-L-EIP55FCL3-Ai1

5Mpx dome camera with light and sound alarms

| | |
|-------------------------|---|
| Scanning system | Progressive Scan |
| System | IP |
| RAM / ROM | 512MB/128MB |
| Sensor | 1/2.7" 5Mpx CMOS |
| Pixels | 2592(H) × 1944(V) |
| Min. illumination | 0.003Lux/F1.0 |
| S / N ratio | >56dB |
| White balance | (AWB) Auto/manual |
| Lens | 2.8mm F1.0 |
| Focus | Fixed |
| Iris | Fixed |
| Viewing angle | H: 103°, V: 53° |
| DORI | Detect 67m/ Observe 27m/ Recognize 13m/ Identify 7m |
| Background compensation | BLC / HLC / WDR(120dB) |
| Shutter | Auto/manual (1/3~1/100000s) |
| Gain control | (AGC) Auto/manual |
| Noise reduction | 3D DNR |
| Motion detection | 4 areas |
| Privacy masking | 4 areas |
| Image rotation | Mirror, flip 90°, 180°, 270° |
| Illuminator | 30m |
| Video compression | H.265 / H.265+ / H.264 / H.264+ / MJPEG(second stream) |
| Resolution | 5M (2592 × 1944); 4M (2688 × 1520); 4M (2560 × 1440); 3M (2304 × 1296); 1080p (1920 × 1080); 1.3M (1280 × 960); 720p (1280 × 720); D1 (704 × 576/704 × 480); VGA (640 × 480); CIF |
| Main stream | 2592 × 1944 @1-20 fps 2688 × 1520 @1-25/30 fps |
| Second stream | 704 × 576 @1-25 fps/704 × 480 @ 1-20fps |
| Third stream | 1920 × 1080 @1-25/30 fps |
| Bitrate | H.264: 32 kbps–8192 kbps H.265: 12 kbps–8192 kbps |
| Network connection | RJ-45 (10/100Mbps) |
| Audio | Built-in microphone and speaker, 1 audio in / 1 audio out |
| Audio compression | PCM; G.711a; G.711Mu; G.726; G.723 |
| Alarm | 1 input 5mA 3V–5V DC / 1 output 300mA 12V DC |
| Protocols | IPv4; IPv6; HTTP; TCP; UDP; ARP; RTP; RTSP; RTCP; RTMP; SMTP; FTP; SFTP; DHCP; DNS; DDNS; QoS; UPnP; NTP; Multicast; ICMP; IGMP; NFS; SAMBA; PPPoE; SNMP |
| Compatibility | ONVIF(S/G/T) |
| Users | Max. 20 logged in |
| Mobile users | iOS, android |
| Memory card slot | microSD 256GB |
| Power | DC12V / PoE(802.3af) |
| Power consumption | 2.5W (12V DC); 3W (PoE) max. 7.3W (12V DC); 8W (PoE) |
| Working conditions | -40°C ~ +60°C, ≤ 95% RH |
| Case | IP67 |
| Weight | 0.75kg |
| Dimensions | Φ122.0 mm × 110.9 mm (Φ4.8" × 4.4") |



BCS-L-EIP55FCL3-Ai1

5Mpx dome camera with light and sound alarms

Adapter
BCS-AD2M3V



Adapter
BCS-AT135



Adapter
BCS-AT356



Uchwyt ścienny
BCS-UD1

