

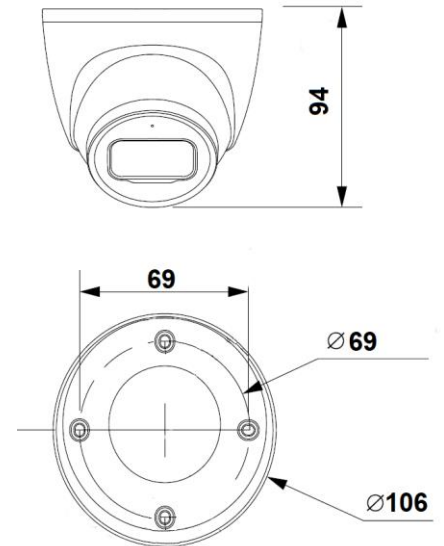
BCS-DMIP2501IR-E-Ai

Network Eyeball Camera 5Mpx with 2.8mm lens



ONVIF®

- Sensor 1/2.7" 5Mpx PS CMOS
- Starlight technology
- Compression H.265+/H.264+/H.264B/MJPEG
- Triple stream coding
- IR cut filter with auto-switch ICR
- Functions AGC, AES, AWB, BLC, HLC, WDR(120dB), ROI, 3D DNR
- Fixed lens 2.8mm F1.6
- IR range up to 50m
- Built-in web-service, support BCS-NVR, CMS(BCS Manager), mobile app BCS(iOS, android), P2P, Onvif
- Motion detect, privacy masking
- Intelligent functions: crossline, intrusion, perimeter protection, audio detect
- Built-in microphone
- Outside metal casing IP67
- Edge storage microSD max. 256GB
- Power supply 12V DC and PoE



BCS-DMIP2501IR-E-Ai

Network Eyeball Camera 5Mpx with 2.8mm lens

Scanning system	Progressive Scan
System	IP
RAM/ROM	512MB/128MB
Sensor	1/2.7" 5Mpx CMOS
Pixels	2592(H) × 1944(V)
Min illumination	0.005Lux/F1.6 (Color), 0Lux/F1.6 (IR On)
White balance	(AWB) Auto/manual
Lens	Fixed 2.8mm F1.6
Angle of view	H: 98°, V: 72°
DORI(Detect/Observe/Recognize/Identify)	56m/22m/11m/5m
Backlight compensation	BLC / HLC / WDR(120dB)
Shutter	Auto/manual (1/3~1/100000s)
Gain control	(AGC) Auto/manual
Noise reduction	3D DNR
Motion detect	4 areas
Privacy masking	4 areas
Image rotate	Mirror, flip 90°, 180°, 270°
Focus	Auto
Day/night	IR cut filter witch auto-switch ICR
IR range	50m
Video compression	H.265 / H.265+ / H.264 / H.264+ / H.264B / H.265H / MJPEG
Main stream	(2592 × 1944@1-20 fps) (2688 × 1520@1-25/30 fps)
Second stream	(704 × 576@1-25/30 fps)
Third stream	(1280 × 720@1-25/30 fps)
Bitrate	H.264: 3 Kbps-8192 Kbps H.265: 3 Kbps-8192 Kbps
Audio	Built-in microphone
Audio compression	G.711A; G.711Mu; G.726; AAC
Network	RJ-45 (10/100Base-T)
Protocols	IPv4;IPv6;HTTP;HTTPS;TCP;UDP;ARP;RTP;RTSP;RTCP;RTMP;SMTP;FTP;SFTP;DHCP; DNS;DDNS;QoS;UPnP;NTP;Multicast;ICMP;IGMP;NFS;PPPoE;802.1x;SNMP
Compatibility	ONVIF(Profile S/Profile G);CGI; P2P
Users	Max 20 logged in
Mobile	iOS, android
Edge storage	microSD up to 256GB
Power supply	DC12V (±30%) / PoE(802.3af)
Power consumption	<8.1W
Working environment	-30°C ~ +60°C, ≤ 95% RH
Casing	Outside metal IP67
Weight	0.55kg
Dimensions	φ106mm×94mm



BCS-DMIP2501IR-E-Ai

Network Eyeball Camera 5Mpx with 2.8mm lens

Junction box
BCS-ADMM



Junction box
BCS-AT135



Junction box
BCS-AT48



Wall mount
BCS-UDU

