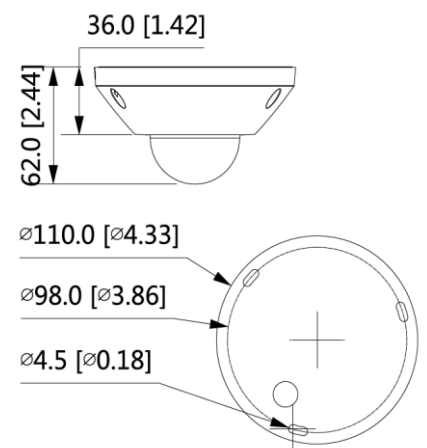


BCS-SFIP1501-Ai

Network fisheye camera 5Mpx with Ai



- Sensor 1/2.7" 5Mpx PS CMOS
- Compression H.265+/H.264+/MJPEG
- Triple stream coding
- IR cut filter with auto-switch
- Fisheye lens 1.4mm F2.0 180°
- Built-in web-service, support BCS-NVR, CMS(BCS Manager), mobile app BCS(iOS, android), P2P, Onvif
- Functions AWB, AES, AGC, BLC, HLC, WDR(120dB), Ultra DNR, Defog, ROI
- Advanced intelligent functions: perimeter protection, face detect, object recognize, metadata, intelligent search, people counting, missing/abandoned object, audio detect
- 1 audio in / 1 audio out
- 1 alarm in / 1 alarm out
- Built-in microphone
- Outside metal casing IP67, IK10
- Edge storage microSD 256GB
- Power supply DC12V, PoE(802.3af)



BCS-SFIP1501-Ai

Network fisheye camera 5Mpx with Ai

Video system	IP
Scanning system	Progressive Scan
Sensor	1/2.7" 5Mpx CMOS
RAM/ROM	512MB/128MB
Pixels	2592×1944
Min. illumination	0.006 Lux/F2.0
S/N ratio	>56dB
Lens	Fisheye 1.4mm F2.0
Angle of view	Horizontal: 180°; Vertical: 180°
DORI	Detect 28m/Observe 11m/Recognize 6m/Identify 3m
White balance	(AWB) Auto/manual
Backlight compensation	BLC/HLC/WDR(120dB)
Shutter	1/3~1/100000s
Gain control	(AGC) Auto/manual
Noise reduction	Ultra 2D/3D DNR
Motion detect	4 areas
Privacy masking	4 areas
Focus	Fixed
Day/night	IR cut filter with auto-switch ICR
Video compression	H.265 / H.265+ / H.264 / H.264+ / MJPEG(second stream)
Resolution	5M(2592×1944); 3M(2048×1536); UXGA(1600×1200); 1.3M(1280×960); 720p(1280×720); D1(704×576/704×480); VGA(640×480); CIF(352×288/352×240)
Main stream	(2592 × 1944 @1–25/30 fps)
Second stream	(704 × 576 @1–25 fps/704 × 480 @1–30 fps)
Third stream	(1280 × 720 @1–25/30 fps)
Bitrate	H.264: 3 kbps–8192 kbps H.265: 3 kbps–8192 kbps
Network	RJ-45 (10/100Mbps)
Protocols	IPv4; IPv6; HTTP; HTTPS; TCP; UDP; ARP; RTP; RTSP; RTCP; RTMP; SMTP; FTP; SFTP; DHCP; DNS; DDNS; QoS; UPnP; NTP; Multicast; ICMP; IGMP; NFS; PPPoE; 802.1x; SNMP
Audio	1 in / 1 out, built-in microphone
Audio compression	PCM; G.711a; G.711Mu; G726; AAC
Alarm	1 channel in: 5mA 3V–5V DC 1 channel out: 300mA 12V DC
Compatibility	ONVIF
Users	Max 20 logged in
Mobile	iOS, android
Edge storage	microSD do 256GB
Power supply	DC12V, PoE(802.3af) Basic power consumption: 3.7W (12V DC); 4.7W (PoE) Max. power consumption (H.265 + intelligent function +WDR): 5.1W (12V DC); 6W (PoE)
Working environment	-30°C ~+55°C / 10~95%RH
Casing	Outside metal IP67, IK10
Dimensions and weight	62.0 mm × Φ110.0 mm 0.4kg

