

BCS-B-MT42800

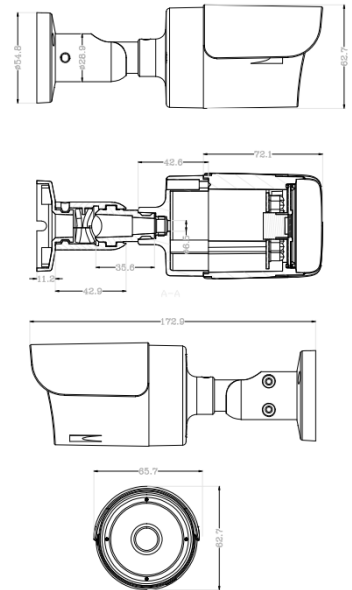
Bullet camera 4Mpx 4-system with fixed lens 2.8mm



Key features:

- Sensor 1/2.7" 4Mpx PS CMOS
- Resolution 2560x1440@30fps
- Camera 4in1: HDCVI/AHD/TVI/ANALOG
- IR cut filter with auto switch
- Digital Noise Reduction DNR
- Functions AGC, ATW, AES, BLC, FLC, D-WDR
- Fixed lens 2.8mm F1.2
- IR led distance up to 30m
- Outside metal casing IP66
- System change deep switch
- Menu OSD available through recorder
- Working environment -20°C ~ +60°C
- Power supply DC 12V (tolerance ±10%)

Dimensions:



BCS-B-MT42800

Bullet camera 4Mpx 4-system with fixed lens 2.8mm

Specification:

Scanning system	Progressive Scan
System	HDCVI/AHD/TVI/ANALOG
Sensor	1/2.7" 4Mpx CMOS
Chipset	FH8538M+JX-K02
Pixels	2560(H) × 1440(V)
Resolution	4Mpx(2560×1440) @25/30fps 2Mpx(1920×1080) @25/30fps
Video out	Analog: HDCVI/AHD/TVI/ANALOG 1 V p-p, composite, BNC, 75 Ohm
Minimum illumination	Color: 0.02Lux/F1.2(AGC On) B/W: 0Lux (IR On)
White balance	(ATW) Auto/manual
Lens	Fixed 2.8mm F1.2
Backlight compensation	BLC/FLC/D-WDR
Shutter	Auto/manual
Gain control	(AGC) Auto/manual
Noise Reduction	DNR
Day/night	IR cut filter with auto-switch
IR range	Up to 30m
Power supply	12V DC (±10%)
Power consumption	<5W
Working environment	-20°C ~ +60°C, 10%-90%RH
Casing	Metal IP66
Weight	0.3kg
Dimensions	Ø65.7mm × 172.9mm

