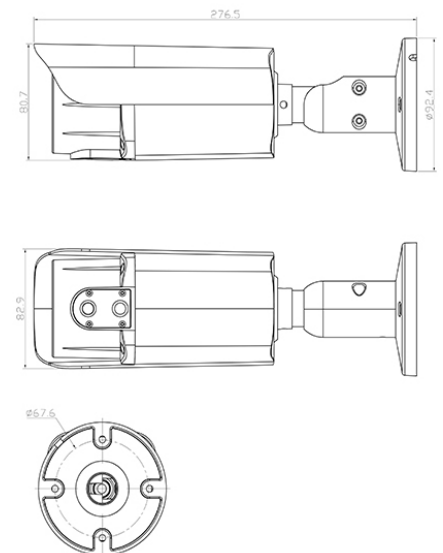


BCS-B-DT22812(II)

Bullet camera 2Mpx 4-system with lens 2.8~12mm



- Sensor 1/2.9" 2Mpx PS CMOS
- Resolution 1920×1080@30fps
- Camera 4in1: HDCVI/AHD/TVI/ANALOG
- IR cut filter with auto switch
- Digital Noise Reduction 2D/3D
- Functions AGC, ATW, AES, BLC, FLC, D-WDR
- Varifocal lens 2.8~12mm F1.2
- IR led distance up to 40m
- Outside metal casing IP66
- System change deep switch
- Menu OSD available through recorder
- Working environment -20°C ~ +60°C
- Power supply DC 12V (tolerance ±10%)



BCS-B-DT22812(II)

Bullet camera 2Mpx 4-system with lens 2.8~12mm

Scanning system	Progressive Scan
System	HDCVI/AHD/TVI/ANALOG
Sensor	1/2.9" 2Mpx CMOS
Chipset	F23+FH8536H
Pixels	1920(H) × 1080(V)
Resolution	2Mpx(1920×1080)@25/30fps 720P(1280×720)@25/30fps
Video out	Analog: HDCVI/AHD/TVI/ANALOG 1 V p-p, composite, BNC, 75 Ohm
Minimum illumination	Color: 0.02Lux/F1.2(AGC On) B/W: 0Lux (IR On)
White balance	(ATW) Auto/manual
Lens	Varifocal 2.8~12 mm F1.2
Backlight compensation	BLC/FLC/D-WDR
Shutter	Auto/manual
Gain control	(AGC) Auto/manual
Noise Reduction	2D/3D
Day/night	IR cut filter with auto-switch
IR range	Up to 40m
Power supply	12V DC (±10%)
Power consumption	<5W
Working environment	-20°C ~ +60°C, 10%-90%RH
Casing	Metal IP66
Weight	0.75kg
Dimensions	Ø80.7mm × Ø82.9mm × 276.5mm



BCS-B-DT22812(II)

Bullet camera 2Mpx 4-system with lens 2.8~12mm

Junction Box
BCS-B-DT/MT(-B)

