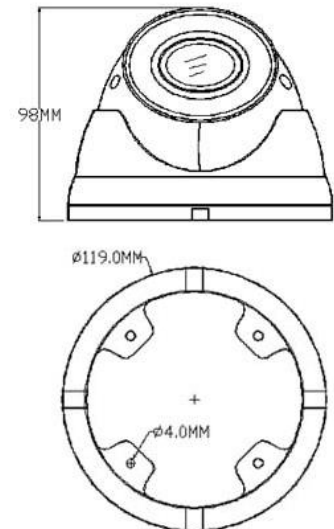


**BCS-B-DK43312**

4 system eyeball camera 4Mpx with 3.3 ~ 12mm lens



- 1 / 2.9 "4Mpx PS CMOS sensor
- Resolution 2560 × 1944 @ 20fps
- 4in1 camera: HDCVI / AHD / TVI / ANALOG
- ICR mechanical infrared filter
- Digital DNR noise reduction
- AGC, ATW, AES, BLC, FLC, D-WDR functions
- 3.3 ~ 12mm F1.2 varifocal lens
- Infrared with a range of up to 40m
- IP66 external metal housing
- System switch
- On-screen display (OSD) available from the recorder
- Working temperature -20 ° C ~ + 60 ° C
- DC 12V power supply (supply tolerance ± 10%)



## BCS-B-DK43312

4 system eyeball camera 4Mpx with 3.3 ~ 12mm lens

Scanning system	Progressive Scan
System	HDCVI/AHD/TVI/ANALOG
Sensor	1/2.9" 4Mpx CMOS
Chipset	FH8538M+JX-K03
Pixels	2560(H) × 1944(V)
Resolution	AHD/TVI 4Mpx(2560×1944)@20fps CVI 4Mpx(2560×1440)@25/30fps
Video output	HDCVI/AHD/TVI/ANALOG 1 V p-p, composite, BNC, 75 Ohm
Min illumination	Color: 0.02Lux/F1.2(AGC) B/W: 0Lux(IR)
White balance	(ATW) Auto/manual
Lens	varifocal 3.3~12 mm F1.2
Background compensation	BLC/FLC/D-WDR
Shutter	Auto/manual
Gain control	(AGC) Auto/manual
Noise reduction	DNR
Day / night function	ICR IR 40m
Power	12V DC (±10%)
Power consumption	<5W
Working conditions	-20°C ~ +60°C, 10%-90%RH
Case	Metal IP66
Dimensions and weight	Ø119mm×98mm 0.4kg



## BCS-B-DK43312

4 system eyeball camera 4Mpx with 3.3 ~ 12mm lens

Adapter  
BCS-B-DK

