

## BCS-B-DK42812

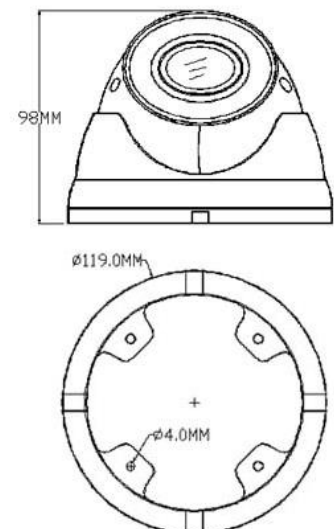
Dome camera 4Mpx 4-system with lens 2.8~12mm



## Key features:

- Sensor 1/2.7" 4Mpx PS CMOS
- Resolution 2560×1440@30fps
- Camera 4in1: HDCVI/AHD/TVI/ANALOG
- IR cut filter with auto switch
- Digital Noise Reduction DNR
- Functions AGC, ATW, AES, BLC, FLC, D-WDR
- Varifocal lens 2.8~12mm F1.2
- IR led distance up to 40m
- Outside metal casing IP65
- System change deep switch
- Menu OSD available through recorder
- Working environment -20°C ~ +60°C
- Power supply DC 12V (tolerance ±10%)

## Dimensions:



## BCS-B-DK42812

Dome camera 4Mpx 4-system with lens 2.8~12mm

### Specification:

|                        |  |
|------------------------|--|
| Scanning system        | Progressive Scan   |
| System                 | HDCVI/AHD/TVI/ANALOG   |
| Sensor                 | 1/2.7" 4Mpx CMOS   |
| Chipset                | FH8538M+JX-K02   |
| Pixels                 | 2560(H) × 1440(V)  |
| Resolution             | 4Mpx(2560×1440) @25/30fps<br>2Mpx(1920×1080) @25/30fps       |
| Video out              | Analog: HDCVI/AHD/TVI/ANALOG 1 V p-p, composite, BNC, 75 Ohm |
| Minimum illumination   | Color: 0.02Lux/F1.2(AGC On)<br>B/W: 0Lux (IR On)             |
| White balance          | (ATW) Auto/manual  |
| Lens                   | Varifocal 2.8~12 mm F1.2                                     |
| Backlight compensation | BLC/FLC/D-WDR  |
| Shutter                | Auto/manual  |
| Gain control           | (AGC) Auto/manual  |
| Noise Reduction        | DNR  |
| Day/night              | IR cut filter with auto-switch                               |
| IR range               | Up to 40m  |
| Power supply           | 12V DC (±10%)  |
| Power consumption      | <5W  |
| Working environment    | -20°C ~ +60°C, 10%-90%RH                                     |
| Casing                 | Metal IP65   |
| Weight                 | 0.4kg  |
| Dimensions             | Ø119mm×98mm  |

